



SFF-TA-1037

Specification for

Connectors For Pluggable Multi-Purpose Module (PMM)

Rev 1.0.1

~~April 7, 2025~~ November 15, 2024

SECRETARIAT: SFF ~~TA~~-TWG

This specification is made available for public review at <https://www.snia.org/sff/specifications>. Comments may be submitted at <https://www.snia.org/feedback>. Comments received will be considered for inclusion in future revisions of this specification.

[This document has been released by SNIA. The SFF TWG believes that the ideas, methodologies, and technologies described in this document are technically accurate and are appropriate for widespread distribution.](#)

The description of the connector in this specification does not assure that the specific component is available from connector suppliers. If such a connector is supplied, it should comply with this specification to achieve interoperability between suppliers.

ABSTRACT: This specification defines the connect systems for Pluggable Multipurpose Module (PMM) applications. It includes PMM 4C+ EP connector, PMM x16 108p connector and PMM power connector. Each connector has four PCB mounting orientations.

POINTS OF CONTACT:

~~SNIA Technical Council Managing Director Zhineng Fan~~ ~~Anthony Constantine~~

~~Chairman SFF TA-TWG~~

~~Email: TCMD@snia.org - Amphenol~~

~~Micron Technology~~

~~Email:~~

~~SFF-Chair@snia.org~~

~~-825 Old Trail Road~~ ~~Email: aconstantine@micron.com~~

EDITORS:

Zhineng Fan, Amphenol

Anthony Constantine, Micron

~~-Etters, PA 17319 USA~~

~~-Ph: +1 717 938 7200~~

~~-Email: Zhineng.fan@amphenol-tcs.com~~

DRAFT

Intellectual Property

The user's attention is called to the possibility that implementation of this specification may require the use of an invention covered by patent rights. By distribution of this specification, no position is taken with respect to the validity of a claim or claims or of any patent rights in connection therewith.

This specification is considered SNIA Architecture and is covered by the SNIA IP Policy and as a result goes through a request for disclosure when it is published.

The SNIA IP Review Process is still in progress and is completing on xx/xx/xxxx. If IP disclosures that affect this specification are made during this process, this specification may be withdrawn.

Additional information can be found at the following locations:

- Results of IP Disclosures: <https://www.snia.org/sffdisclosures>
- SNIA IP Policy: <https://www.snia.org/ippolicy>

Copyright

SNIA hereby grants permission for individuals to use this document for personal use only, and for corporations and other business entities to use this document for internal use only (including internal copying, distribution, and display) provided that:

1. Any text, diagram, chart, table or definition reproduced shall be reproduced in its entirety with no alteration, and,
2. Any document, printed or electronic, in which material from this document (or any portion hereof) is reproduced shall acknowledge the SNIA copyright on that material, and shall credit ~~the~~ SNIA for granting permission for its reuse.

Other than as explicitly provided above, there may be no commercial use of this document, or sale of any part, or this entire document, or distribution of this document to third parties. All rights not explicitly granted are expressly reserved to SNIA.

Permission to use this document for purposes other than those enumerated (Exception) above may be requested by e-mailing copyright_request@snia.org. Please include the identity of the requesting individual and/or company and a brief description of the purpose, nature, and scope of the requested use. Permission for the Exception shall not be unreasonably withheld. It can be assumed permission is granted if the Exception request is not acknowledged within ten (10) business days of SNIA's receipt. Any denial of permission for the Exception shall include an explanation of such refusal.

Disclaimer

The information contained in this publication is subject to change without notice. ~~The~~ SNIA makes no warranty of any kind with regard to this specification, including, but not limited to, the implied warranties of merchantability and fitness for a particular purpose. ~~The~~ SNIA shall not be liable for errors contained herein or for incidental or consequential damages in connection with the furnishing, performance, or use of this specification.

Suggestions for revisions should be directed to <https://www.snia.org/feedback/>.

Foreword

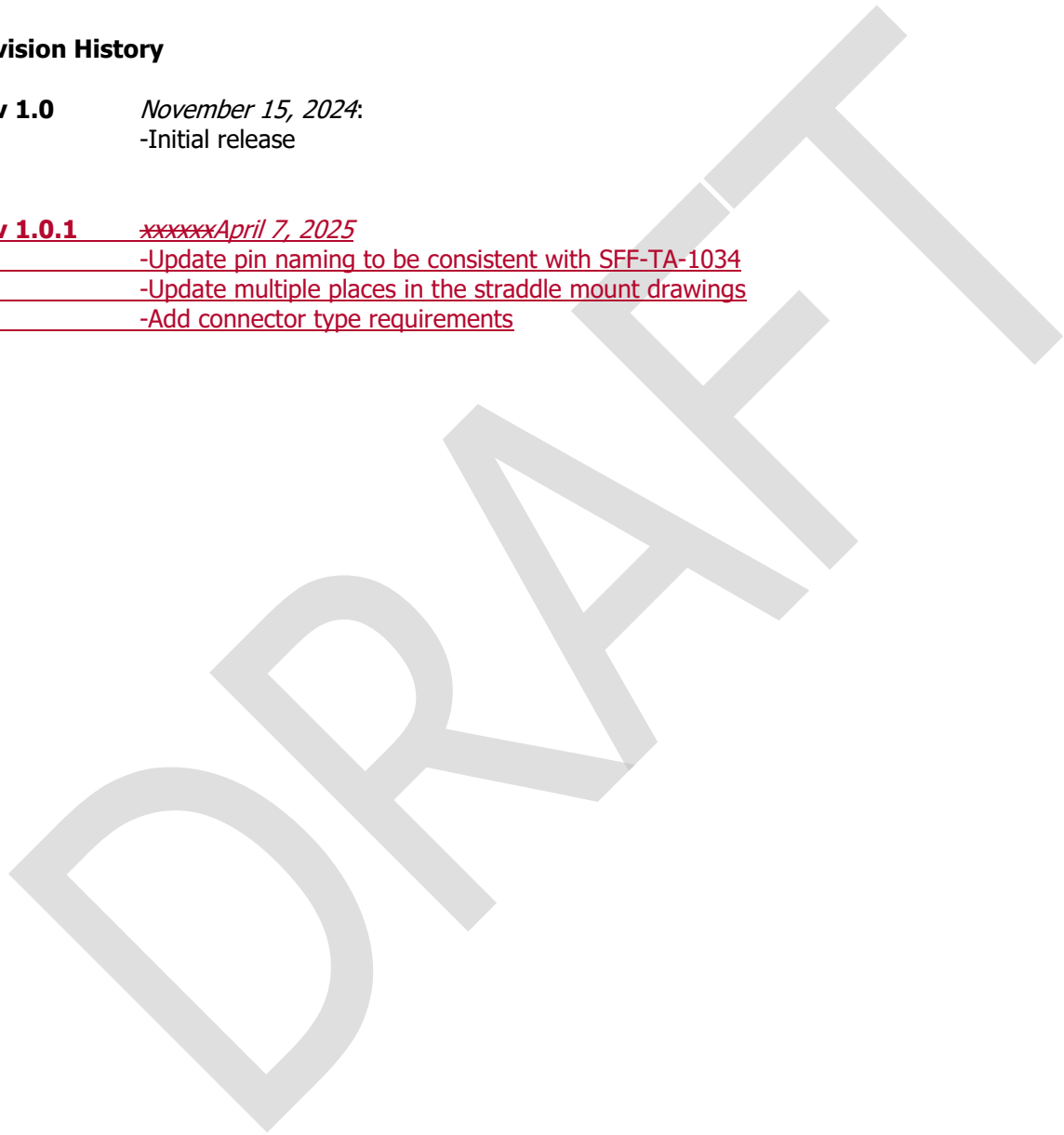
The development work on this specification was done by the SNIA SFF TWG, an industry group. Since its formation as the SFF Committee in August 1990, as well as since SFF's transition to SNIA in 2016, the membership has included a mix of companies which are leaders across the industry.

For those who wish to participate in the activities of the SFF TWG, the signup for membership can be found at <https://www.snia.org/join>.

Revision History

Rev 1.0 *November 15, 2024:*
-Initial release

Rev 1.0.1 ~~xxxxx~~*April 7, 2025*
-Update pin naming to be consistent with SFF-TA-1034
-Update multiple places in the straddle mount drawings
-Add connector type requirements



Contents

1.	Scope	96
1.1	Application Specific Criteria	96
2.	References and Conventions	96
2.1	Industry Documents	96
2.2	Sources	96
2.3	Conventions	107
3.	Keywords, Acronyms, and Definitions	118
3.1	Keywords	118
3.2	Acronyms and Abbreviations	118
3.3	Definitions	129
4.	General Description	1411
4.1	Configuration Overview/Descriptions	1411
4.1.1	Right Angle Connector Configuration	1411
4.1.2	Vertical Connector Configuration	1512
4.1.3	Straddle Mount Connector Configuration	1512
4.1.4	Panel Mount Connector Configuration	1613
4.2	Contact Numbering	1714
5.	Connector Mechanical Specification	1815
5.1	Overview	1815
5.2	Mechanical Description: Right Angle Connector	1815
5.2.1	Right Angle PMM 4C+ EP Connector	1815
5.2.2	Right Angle PMM x16 108pin Connector	2017
5.2.3	Right Angle PMM Power Connector	2118
5.3	Mechanical Description: Vertical Connector	2219
5.3.1	Vertical PMM 4C+ EP Connector	2219
5.3.2	Vertical PMM x16 108pin Connector	2320
5.3.3	Vertical PMM Power Connector	2421
5.4	Mechanical Description: Straddle Mount Connector	2522
5.4.1	Straddle Mount PMM 4C+ EP Connector	2522
5.4.2	Straddle Mount PMM x16 108pin Connector	2724
5.4.3	Straddle Mount PMM Power Connector	2825
5.5	Mechanical Description: Panel Mount Connector	3027
5.6	Connector Mating Contacts Outer Locus	3027
5.7	Outer Locus of Connector Solder Leads	3330
5.7.1	Outer Locus of Vertical Connector Solder Leads	3330
5.7.2	Outer Locus of Right Angle Connector Solder Leads	3532
5.7.3	Outer Locus of Straddle Mount Connector Solder Leads	3734
6.	Add-In Card Mechanical Specification	3936
7.	Performance Requirements	4238
7.1	Mechanical Testing and Performance	4238
8.	Electrical Characteristics	4742
Appendix A.	System Mechanical Specification (Informative)	4843
A.1	Overview	4843
A.2	PCB Layout	4843
A.2.1	Recommended PCB Layout for Right Angle Connector Footprints	4843
A.2.2	Recommended PCB Layout for Vertical Connector Footprints	4944
A.2.3	Recommended PCB Layout for Straddle Mount Connector Footprints	5045

Appendix B. Gatherability (Informative)	5246
Appendix C. Current Rating Test Fixture (Informative)	5347
Appendix D. Labeling Connector Type (Informative)	5650
1. Scope	6
1.1 Application Specific Criteria	6
2. References and Conventions	6
2.1 Industry Documents	6
2.2 Sources	6
2.3 Conventions	7
3. Keywords, Acronyms, and Definitions	8
3.1 Keywords	8
3.2 Acronyms and Abbreviations	8
3.3 Definitions	9
4. General Description	11
4.1 Configuration Overview/Descriptions	11
4.1.1 Right Angle Connector Configuration	11
4.1.2 Vertical Connector Configuration	11
4.1.3 Straddle Mount Connector Configuration	12
4.1.4 Panel Mount Connector Configuration	12
4.2 Contact Numbering	13
5. Connector Mechanical Specification	14
5.1 Overview	14
5.2 Mechanical Description: Right Angle Connector	14
5.2.1 Right Angle PMM 4C+ EP Connector	14
5.2.2 Right Angle PMM x16 108pin Connector	16
5.2.3 Right Angle PMM Power Connector	17
5.3 Mechanical Description: Vertical Connector	18
5.3.1 Vertical PMM 4C+ EP Connector	18
5.3.2 Vertical PMM x16 108pin Connector	19
5.3.3 Vertical PMM Power Connector	20
5.4 Mechanical Description: Straddle Mount Connector	21
5.4.1 Straddle Mount PMM 4C+ EP Connector	21
5.4.2 Straddle Mount PMM x16 108pin Connector	23
5.4.3 Straddle Mount PMM Power Connector	24
5.5 Mechanical Description: Panel Mount Connector	25
5.6 Connector Mating Contacts Outer Locus	25
5.7 Outer Locus of Connector Solder Leads	27
5.7.1 Outer Locus of Vertical Connector Solder Leads	27
5.7.2 Outer Locus of Right Angle Connector Solder Leads	29
5.7.3 Outer Locus of Straddle Mount Connector Solder Leads	31
6. Add-In Card Mechanical Specification	33
7. Performance Requirements	34
7.1 Mechanical Testing and Performance	34
8. Electrical Characteristics	38
Appendix A. System Mechanical Specification (Informative)	39
A.1 Overview	39
A.2 PCB Layout	39

A.2.1 Recommended PCB Layout for Right Angle Connector Footprints	39
A.2.2 Recommended PCB Layout for Vertical Connector Footprints	40
A.2.3 Recommended PCB Layout for Straddle Mount Connector Footprints	41
Appendix B. Gatherability (Informative)	42
Appendix C. Current Rating Test Fixture (Informative)	43

Figures

Figure 3-1 Plug and Receptacle Definition	129
Figure 3-2 Right Angle Connector and Cable Assembly	1310
Figure 3-3 Wipe for a Continuous Contact	1310
Figure 4-1 Right Angle Connector Configuration	1411
Figure 4-2 Vertical Connector Configuration	1512
Figure 4-3 Straddle Mount Connector Configuration	1512
Figure 4-4 Panel Mount Connector Configuration	1613
Figure 4-5 Contact Numbering	1714
Figure 5-1 Right Angle PMM 4C+ EP Connector Dimensions	1815
Figure 5-2 Right Angle PMM x16 108pin Connector Dimensions	2017
Figure 5-3 Right Angle PMM Power Connector Dimensions	2118
Figure 5-4 PMM 4C+ EP Vertical Connector Dimensions	2219
Figure 5-5 Vertical PMM x16 108pin Connector Dimensions	2320
Figure 5-6 Vertical PMM Power Connector Dimensions	2421
Figure 5-7 Straddle Mount PMM 4C+ EP Connector Dimensions	2622
Figure 5-8 Straddle Mount PMM x16 108pin Connector Dimensions	2724
Figure 5-9 Straddle Mount PMM x16 108pin Connector Dimensions	3027
Figure 5-10 Panel Mount PMM Connector Dimensions	3027
Figure 5-11 Outer Locus of PMM 4C+ EP Connector Mating Contacts	3128
Figure 5-12 Outer Locus of PMM x16 108pin Connector Mating Contacts	3128
Figure 5-13 Outer Locus of Panel Mount PMM Connector Mating Contacts	3229
Figure 5-14 Outer Locus of Vertical PMM 4C+ EP Connector SMT leads	3330
Figure 5-15 Outer Locus of Vertical PMM x16 108pin Connector SMT Leads	3330
Figure 5-16 Outer Locus of Vertical PMM Power Connector Through Hole Tails	3431
Figure 5-17 Outer Locus of Right Angle PMM 4C+ EP Connector SMT Leads	3532
Figure 5-18 Outer Locus of Right Angle PMM x16 108pin Connector SMT Leads	3532
Figure 5-19 Outer Locus of Right Angle PMM Power Connector Through Hole Tails	3633
Figure 5-20 Outer Locus of Straddle Mount PMM 4C+ EP Connector SMT Leads	3734
Figure 5-21 Outer Locus of Straddle Mount PMM x16 108pin Connector SMT Leads	3734
Figure 5-22 Outer Locus of Straddle Mount PMM Power Connector SMT Leads	3835
Figure 6-1 Add-In Card Mechanical Dimensions	4137
Figure A-1 Recommended Footprints for Right Angle Connector	4843
Figure A-2 Recommended Footprint for Vertical Connector	4944
Figure A-3 Recommended Footprint for Straddle Mount Connector	5146
Figure B-1 Linear Gatherability	5246
Figure B-2 Angular Gatherability	5246
Figure C-1 An Example of PMM Module Current Rating Test Board PCB Layer Stack	5347
Figure C-2 An Example of PMM Module Current Rating Test Board Copper Patch	5448
Figure C-3 An Example of PMM Host Current Rating Test Board PCB Layer Stack	5448
Figure C-4 An Example of PMM Host Current Rating Test Board Copper Patch	5549
Figure 3-1 Plug and Receptacle Definition	9
Figure 3-2 Right Angle Connector and Cable Assembly	10
Figure 3-3 Wipe for a Continuous Contact	10
Figure 4-1 Right Angle Connector Configuration	11
Figure 4-2 Vertical Connector Configuration	11
Figure 4-3 Straddle Mount Connector Configuration	12
Figure 4-4 Panel Mount Connector Configuration	12

Figure 4-5	Contact Numbering	13
Figure 5-1	Right Angle PMM 4C+ EP Connector Dimensions	14
Figure 5-2	Right Angle PMM x16 108pin Connector Dimensions	16
Figure 5-3	Right Angle PMM Power Connector Dimensions	17
Figure 5-4	PMM 4C+ EP Vertical Connector Dimensions	18
Figure 5-5	Vertical PMM x16 108pin Connector Dimensions	19
Figure 5-6	Vertical PMM Power Connector Dimensions	20
Figure 5-7	Straddle Mount PMM 4C+ EP Connector Dimensions	21
Figure 5-8	Straddle Mount PMM x16 108pin Connector Dimensions	23
Figure 5-9	Straddle Mount PMM x16 108pin Connector Dimensions	24
Figure 5-10	Panel Mount PMM Connector Dimensions	25
Figure 5-11	Outer Locus of PMM 4C+ EP Connector Mating Contacts	25
Figure 5-12	Outer Locus of PMM x16 108pin Connector Mating Contacts	26
Figure 5-13	Outer Locus of Panel Mount PMM Connector Mating Contacts	26
Figure 5-14	Outer Locus of Vertical PMM 4C+ EP Connector SMT leads	27
Figure 5-15	Outer Locus of Vertical PMM x16 108pin Connector SMT Leads	27
Figure 5-16	Outer Locus of Vertical PMM Power Connector Through Hole Tails	28
Figure 5-17	Outer Locus of Right Angle PMM 4C+ EP Connector SMT Leads	29
Figure 5-18	Outer Locus of Right Angle PMM x16 108pin Connector SMT Leads	29
Figure 5-19	Outer Locus of Right Angle PMM Power Connector Through Hole Tails	30
Figure 5-20	Outer Locus of Straddle Mount PMM 4C+ EP Connector SMT Leads	31
Figure 5-21	Outer Locus of Straddle Mount PMM x16 108pin Connector SMT Leads	31
Figure 5-22	Outer Locus of Straddle Mount PMM Power Connector SMT Leads	32
Figure 6-1	Add-In Card Mechanical Dimensions	33
Figure A-1	Recommended Footprints for Right Angle Connector	39
Figure A-2	Recommended Footprint for Vertical Connector	40
Figure A-3	Recommended Footprint for Straddle Mount Connector	41
Figure B-1	Linear Gatherability	42
Figure B-2	Angular Gatherability	42
Figure C-1	An Example of PMM Module Current Rating Test Board PCB Layer Stack	43
Figure C-2	An Example of PMM Module Current Rating Test Board Copper Patch	44
Figure C-3	An Example of PMM Host Current Rating Test Board PCB Layer Stack	44
Figure C-4	An Example of PMM Host Current Rating Test Board Copper Patch	45

Tables

Table 5-1	Right Angle PMM 4C+ EP Connector Offset Variants (mm)	1915
Table 5-2	Straddle Mount Host Board Thickness and Offset Variants (mm)	2622
Table 7-1	Form Factor Performance Requirements	4234
Table 7-2	EIA-364-1000 Test Details	4335
Table 7-3	Additional Test Procedures	4637

1. Scope

This specification defines the connector mechanical specification, performance requirements, and the electrical interface for this card edge connector system. Additional informative information such as PCB layout is included in an appendix. This connector system is designed to support Pluggable Multi-purpose Module (PMM) with high-speed signals, power, and side bands.

1.1 Application Specific Criteria

This specification defines the connect systems for Pluggable Multipurpose Module (PMM) applications. It includes PMM 4C+ EP connector, PMM x16 108p connector and PMM power connector. Each connector has four PCB mounting orientations.

2. References and Conventions

2.1 Industry Documents

The following documents are relevant to this specification:

- ASME Y14.5 Dimensioning and Tolerancing
- EIA-364-1000 Environmental Test Methodology for Assessing the Performance of Electrical Connectors and Sockets Used in Controlled Environment Applications
- EIA-364-04 Normal Force Test Procedure for Electrical Connectors available at
- EIA-364-13 Mating and Unmating Forces Test Procedure for Electrical Connectors
- EIA-364-20 Withstanding Voltage Test Procedure for Electrical Connectors
- EIA-364-21 Insulation Resistance Test Procedure for Electrical Connectors
- EIA-364-23 Low Level Contact Resistance Test Procedure for Electrical Connectors
- EIA-364-27 Mechanical Shock Test Procedure for Electrical Connectors
- EIA-364-28 Vibration Test Procedure for Electrical Connectors and Sockets
- SFF-TA-1002 Protocol Agnostic Multi-Lane High Speed Connector
- SFF-TA-1034 Pluggable Multipurpose Module (PMM)

2.2 Sources

The complete list of SFF documents which have been published, are currently being worked on, or that have been expired by the SFF Committee can be found at <https://www.snia.org/sff/specifications>. Suggestions for improvement of this specification are welcome and should be submitted to <https://www.snia.org/feedback>.

Other standards may be obtained from the organizations listed below:

Standard	Organization	Website
ASME	American Society of Mechanical Engineers (ASME)	https://www.asme.org
Electronic Industries Alliance (EIA)	Electronic Components Industry Association (ECIA)	https://www.ecianow.org

2.3 Conventions

The following conventions are used throughout this document:

DEFINITIONS: Certain words and terms used in this standard have a specific meaning beyond the normal English meaning. These words and terms are defined either in the definitions or in the text where they first appear.

ORDER OF PRECEDENCE: If a conflict arises between text, tables, or figures, the order of precedence to resolve the conflicts is text; then tables; and finally figures. Not all tables or figures are fully described in the text. Tables show data format and values.

LISTS: Lists sequenced by lowercase or uppercase letters show no ordering relationship between the listed items.

EXAMPLE 1 - The following list shows no relationship between the named items:

- a. red (i.e., one of the following colors):
 - A. crimson; or
 - B. pink;
- b. blue; or
- c. green.

Lists sequenced by numbers show an ordering relationship between the listed items.

EXAMPLE 2 -The following list shows an ordered relationship between the named items:

- 1. top;
- 2. middle; and
- 3. bottom.

Lists are associated with an introductory paragraph or phrase and are numbered relative to that paragraph or phrase (i.e., all lists begin with an a. or 1. entry).

DIMENSIONING CONVENTIONS: The dimensioning conventions are described in ASME-Y14.5, Geometric Dimensioning and Tolerancing. All dimensions are in millimeters, which are the controlling dimensional units (if inches are supplied, they are for guidance only).

NUMBERING CONVENTIONS: The ISO convention of numbering is used (i.e., the thousands and higher multiples are separated by a space and a period is used as the decimal point). This is equivalent to the English/American convention of a comma and a period.

American	French	ISO
0.6	0,6	0.6
1,000	1 000	1 000
1,323,462.9	1 323 462,9	1 323 462.9

3. Keywords, Acronyms, and Definitions

For the purposes of this document, the following keywords, acronyms, and definitions apply.

3.1 Keywords

May: Indicates flexibility of choice with no implied preference.

May or may not: Indicates flexibility of choice with no implied preference.

Obsolete: Indicates that an item was defined in prior specifications but has been removed from this specification.

Optional: Describes features which are not required by the SFF specification. However, if any feature defined by the SFF specification is implemented, it shall be done in the same way as defined by the specification. Describing a feature as optional in the text is done to assist the reader.

Prohibited: Describes a feature, function, or coded value that is defined in a referenced specification to which this SFF specification makes a reference, where the use of said feature, function, or coded value is not allowed for implementations of this specification.

Reserved: Defines the signal on a connector contact when its actual function is set aside for future standardization. It is not available for vendor specific use. Where this term is used for bits, bytes, fields, and code values; the bits, bytes, fields, and code values are set aside for future standardization. The default value shall be zero. The originator is required to define a Reserved field or bit as zero, but the receiver should not check Reserved fields or bits for zero.

Restricted: Refers to features, bits, bytes, words, and fields that are set aside for other standardization purposes (e.g., entities). If the context of the specification applies the restricted designation, then the restricted bit, byte, word, or field shall be treated as a reserved bit, byte, word, or field (e.g., a restricted byte uses the same value as defined for a reserved byte).

Shall: Indicates a mandatory requirement. Designers are required to implement all such mandatory requirements to ensure interoperability with other products that conform to this specification.

Should: Indicates flexibility of choice with a strongly preferred alternative.

Vendor specific: Indicates something (e.g., a bit, field, code value) that is not defined by this specification. Specification of the referenced item is determined by the manufacturer and may be used differently in various implementations.

3.2 Acronyms and Abbreviations

EMLB: Early Mate Late Break

PCB: Printed Circuit Board

PF: Press Fit

PTH: Plated Through Hole

RA: Right Angle

SMT: Surface Mount Technology

PMM: Pluggable Multipurpose Module

3.3 Definitions

Alignment guides: A term used to describe features that pre-align the two halves of a connector interface before electrical contact is established. Other common terms include: guide pins, guide posts, blind mating features, mating features, alignment features, and mating guides.

Connector: Each half of an interface that, when joined together, establish electrical contact and mechanical retention between two components. In this specification, the term connector does not apply to any specific gender; it is used to describe the receptacle, the plug or the card edge, or the union of receptacle to plug or card edge. Other common terms include: connector interface, mating interface, and separable interface.

Contact mating sequence: A term used to describe the order of electrical contact established/ terminated during mating/un-mating. Other terms include: contact sequencing, contact positioning, mate first/break last, EMLB (early mate late break) staggered contacts, and long pin/short pin.

Contacts: A term used to describe connector terminals that make electrical connections across a separable interface.

Frontshell / Backshell: A term used to describe the metallic part of a module that provides mechanical and shielding continuity between the plug and receptacle. Other terms commonly used are: housing, snout, and metal shroud.

Module: In this specification, module may refer to a plug assembly at the end of a copper (electrical) cable (passive or active), an active optical cable (AOC), an optical transceiver, or a loopback.

Plug: A term used to describe the connector that contains the penetrating contacts of the connector interface as shown in [Figure 3-1](#). Plugs typically contain stationary contacts. Other common terms include male, pin connector, and card edge.

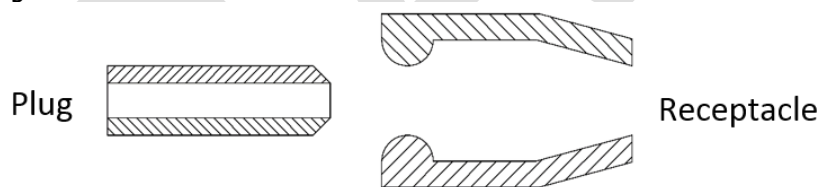


Figure 3-1 Plug and Receptacle Definition

Plated through hole termination: A term used to describe a termination style in which rigid pins extend into or through the PCB. Pins are soldered to keep the connector or cage in place. Other common terms are through hole or PTH.

Press fit: A term used to describe a termination style in which collapsible pins penetrate the surface of a PCB. Upon insertion, the pins collapse to fit inside the PCB's plated through holes. The connector or cage is held in place by the interference fit between the collapsed pins and the PCB.

Receptacle: A term used to describe the connector that contains the contacts that accept the plug contacts as shown in [Figure 3-1](#). Receptacles typically contain spring contacts. Other common terms include female and socket connector.

Right Angle: A term used to describe either a connector design where the mating direction is parallel to the plane of the printed circuit board upon which the connector is mounted or a cable assembly design where the mating direction is perpendicular to the bulk cable.

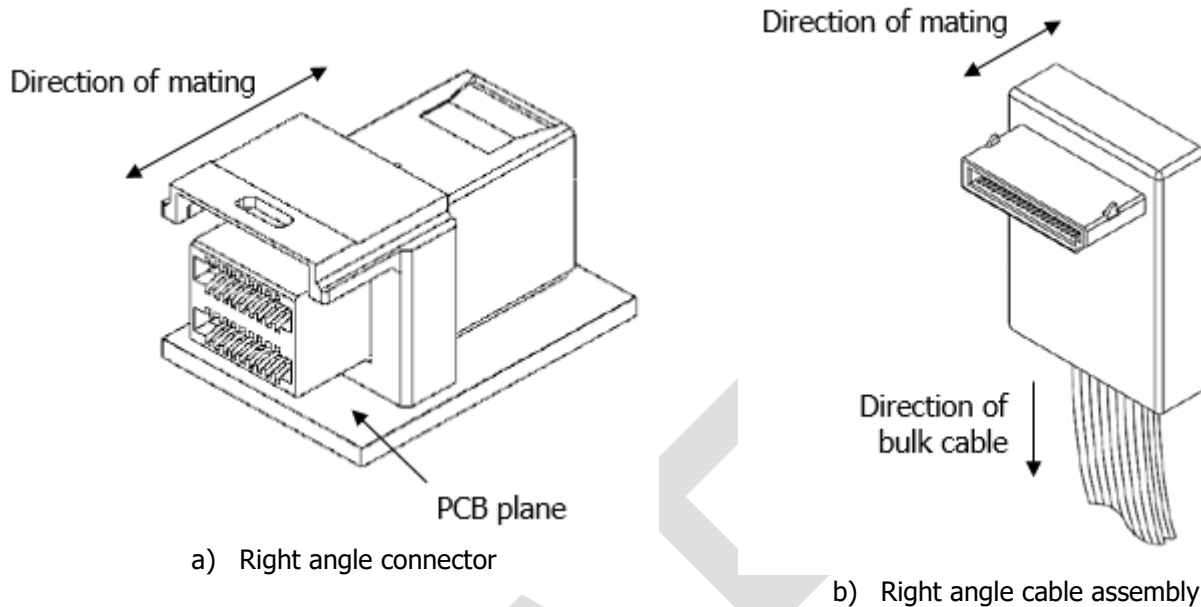


Figure 3-2 Right Angle Connector and Cable Assembly

Straddle mount: A term used to describe a termination style that uses surface mount termination points on both sides of a PCB.

Straight: A term used to describe a connector design where the mating direction is parallel to the bulk cable.

Surface mount: A term used to describe a termination style in which solder tails sit on pads on the surface of a PCB and are then soldered to keep the connector or cage in place. Other common terms are surface mount technology or SMT.

Termination: A term used to describe a connector’s non-separable attachment point such as a connector contact a cage to a PCB or flex circuit. Common PCB terminations include surface mount (SMT), plated through hole termination (PTH), and press fit (PF). Common cable terminations include insulation displacement contact (IDC), insulation displacement termination (IDT), wire slots, solder, welds, crimps, and brazes.

Vertical: A term used to describe a connector design where the mating direction is perpendicular to the printed circuit board upon which the connector is mounted.

Wipe: The distance a contact travels on the surface of its mating contact during the mating cycle as shown in Figure 3-3.

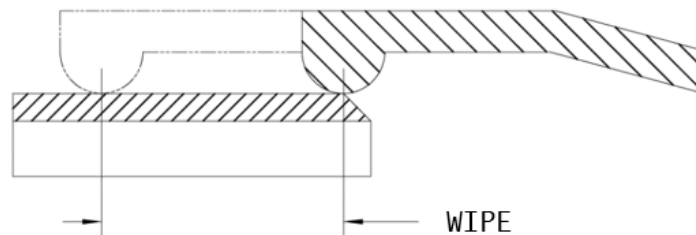


Figure 3-3 Wipe for a Continuous Contact

4. General Description

4.1 Configuration Overview/Descriptions

This specification defines a card edge connector system and add in card interface for a PMM device as defined in the SFF-TA-1034 Pluggable Multipurpose Module (PMM) specification. The connector system includes a PMM 4C+ EP (based on the SFF-TA-1002 4C+ compatible interface with enhanced power delivery), a PMM x16 108p connector and a PMM power connector. Each connector has four different mounting orientations.

This connector system uses the same Type 1 and Type 2 connector designation specified in SNIA SFF-TA-1002. The PMM 4C+ EP and PMM x16 108p connector Type 2 should be clearly labeled on the connector with word "T2". Connector type 1 may be labeled on the connector with "T1". The location of the label is recommended in Appendix D. The connector type definition detail refers to SNIA SFF-TA-1002. —

4.1.1 Right Angle Connector Configuration

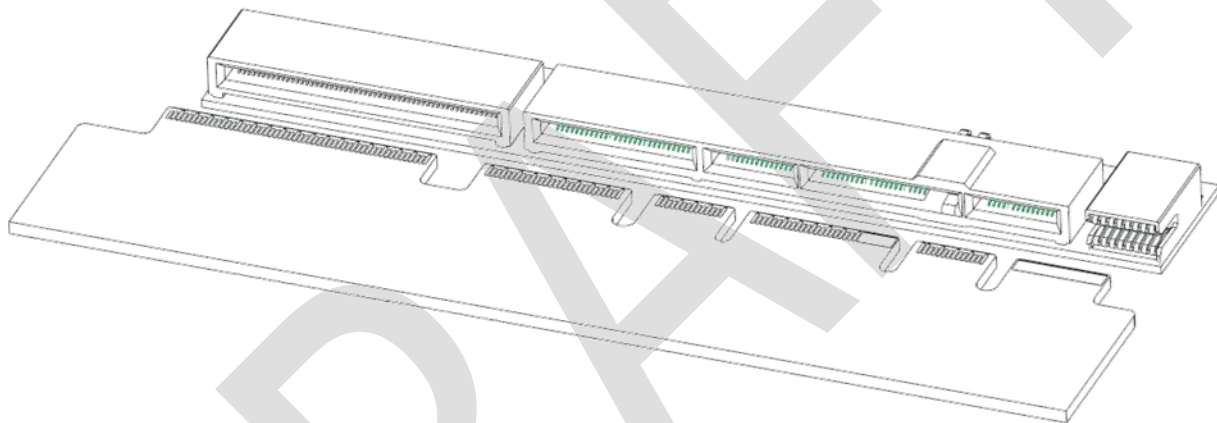


Figure 4-1 Right Angle Connector Configuration

4.1.2 Vertical Connector Configuration

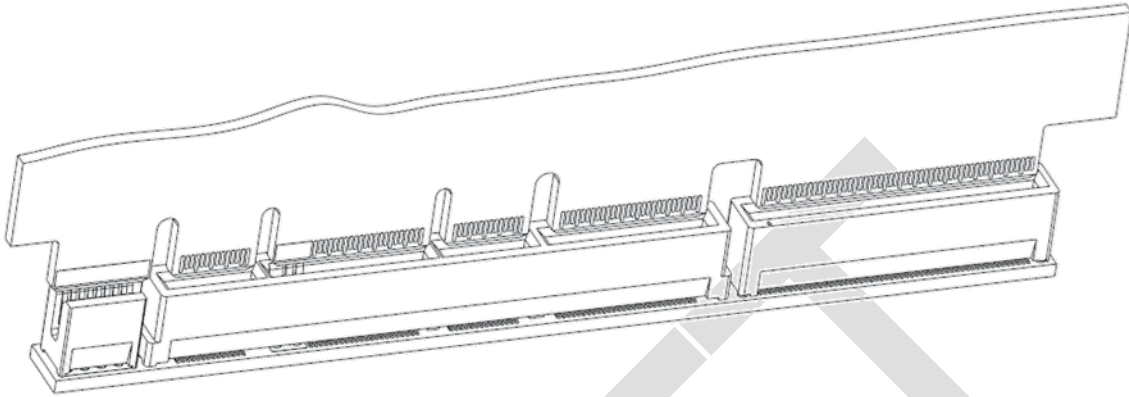


Figure 4-2 Vertical Connector Configuration

4.1.3 Straddle Mount Connector Configuration

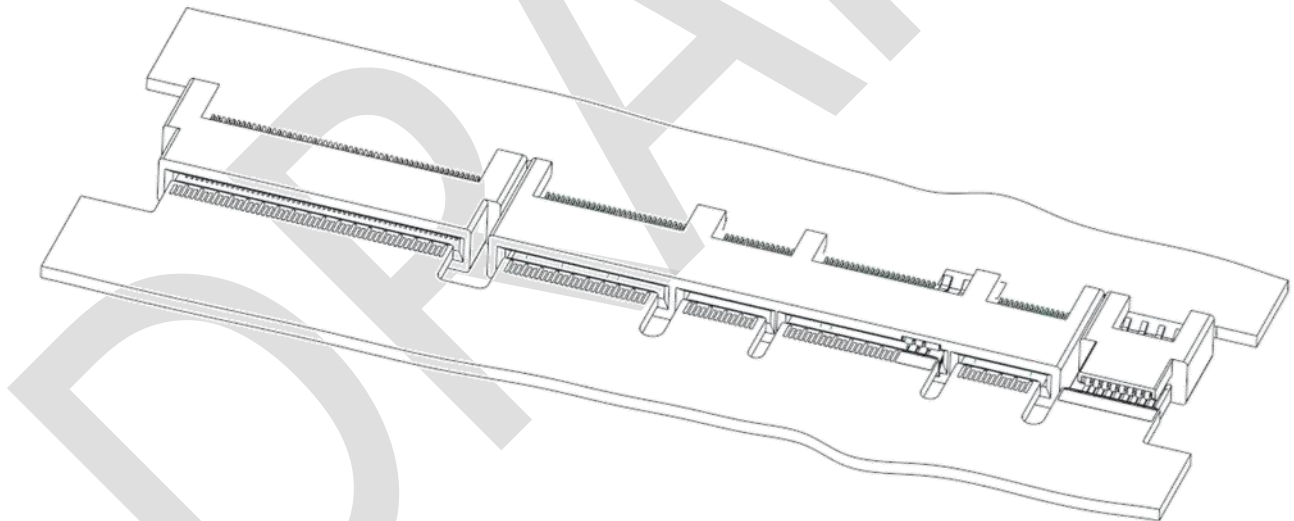


Figure 4-3 Straddle Mount Connector Configuration

4.1.4 Panel Mount Connector Configuration

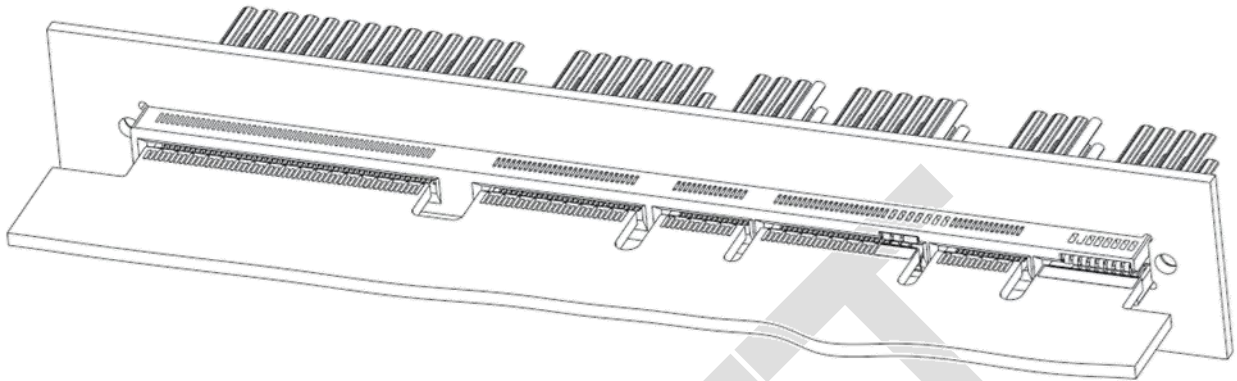


Figure 4-4 Pannel Mount Connector Configuration

DRAFT

4.2 Contact Numbering

The pins or electrical contacts in this connector are numbered as shown in [Figure 4-5](#). Power pin may have multiple contact leaves as shown. The body of the leaves are connected as one electrical pin.

The 4C+ EP connector drawings in this spec shows 3 contact leaves for power pin PA1 and PB1. A designer may choose different number of leaves. The design must be backward compatible with SNIA-SFF TA-1002 defined 4C+ connector interface.

The 4C+ EP connector drawings in this spec shows 2 solder tails for power pin PA1 and PB1. A designer may choose different number of solder tails. The design must be compatible with the footprint defined in this spec.

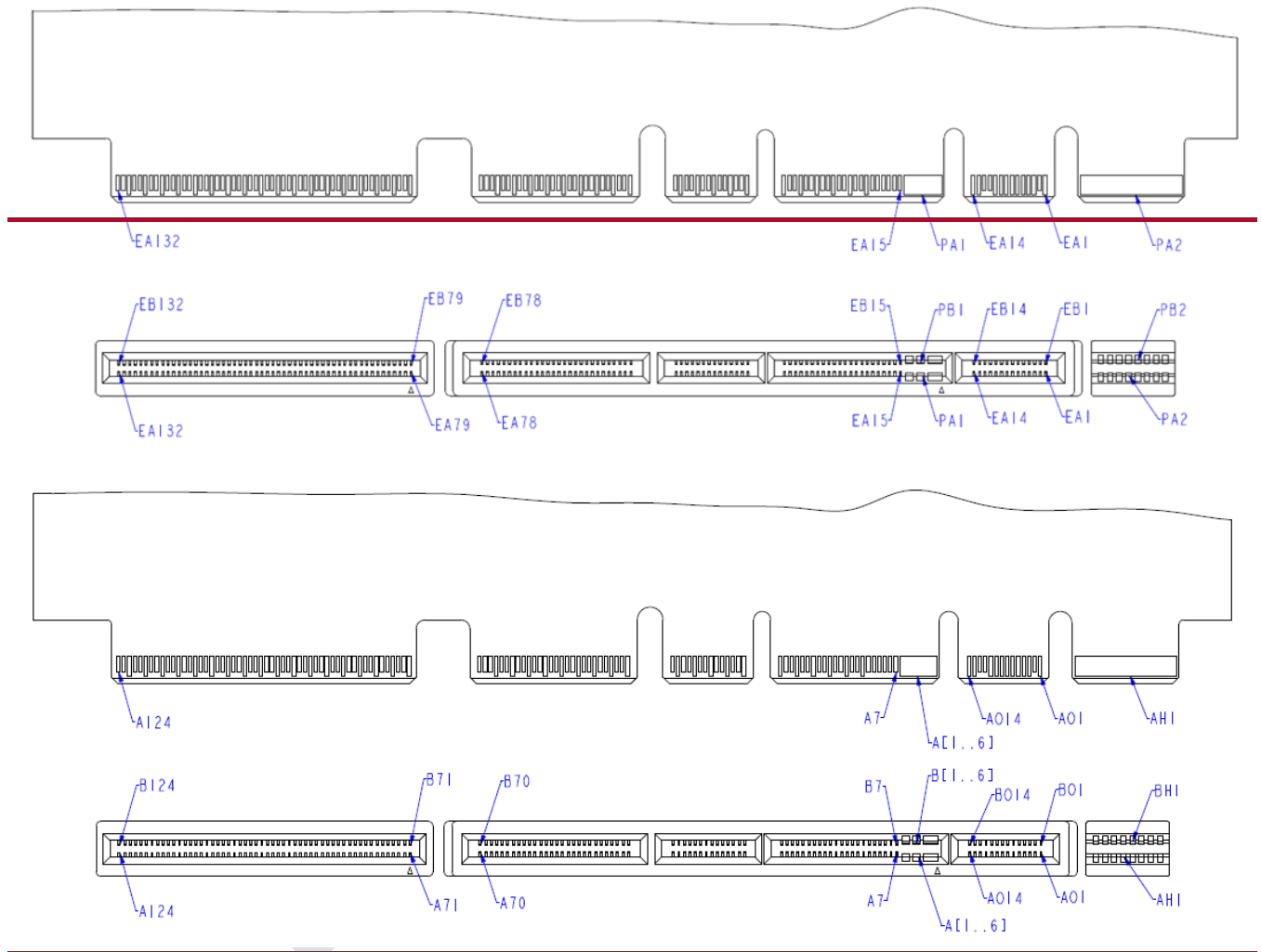


Figure 4-5 Contact Numbering

5. Connector Mechanical Specification

5.1 Overview

This section defines mechanical specifications of vertical connector, right angle connector, straddle mount connector and panel mount connector.

5.2 Mechanical Description: Right Angle Connector

5.2.1 Right Angle PMM 4C+ EP Connector

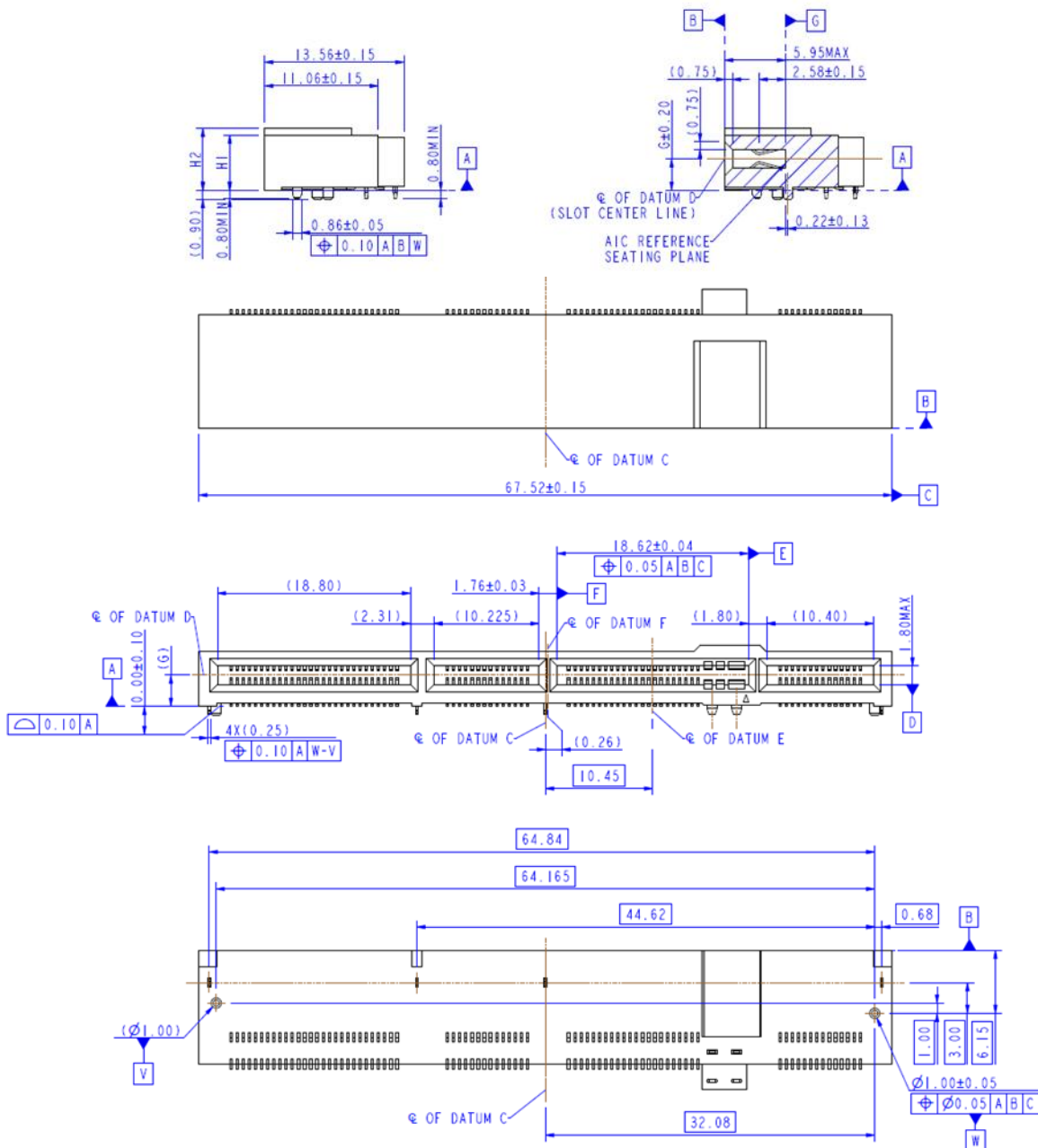


Figure 5-1 Right Angle PMM 4C+ EP Connector Dimensions

Table 5-1 Right Angle PMM 4C+ EP Connector Offset Variants (mm)

DIM H1	DIM H2	DIM G
5.55 MAX	6.20 MAX	3.05
6.55 MAX	7.20 MAX	4.05



5.2.2 Right Angle PMM x16 108pin Connector

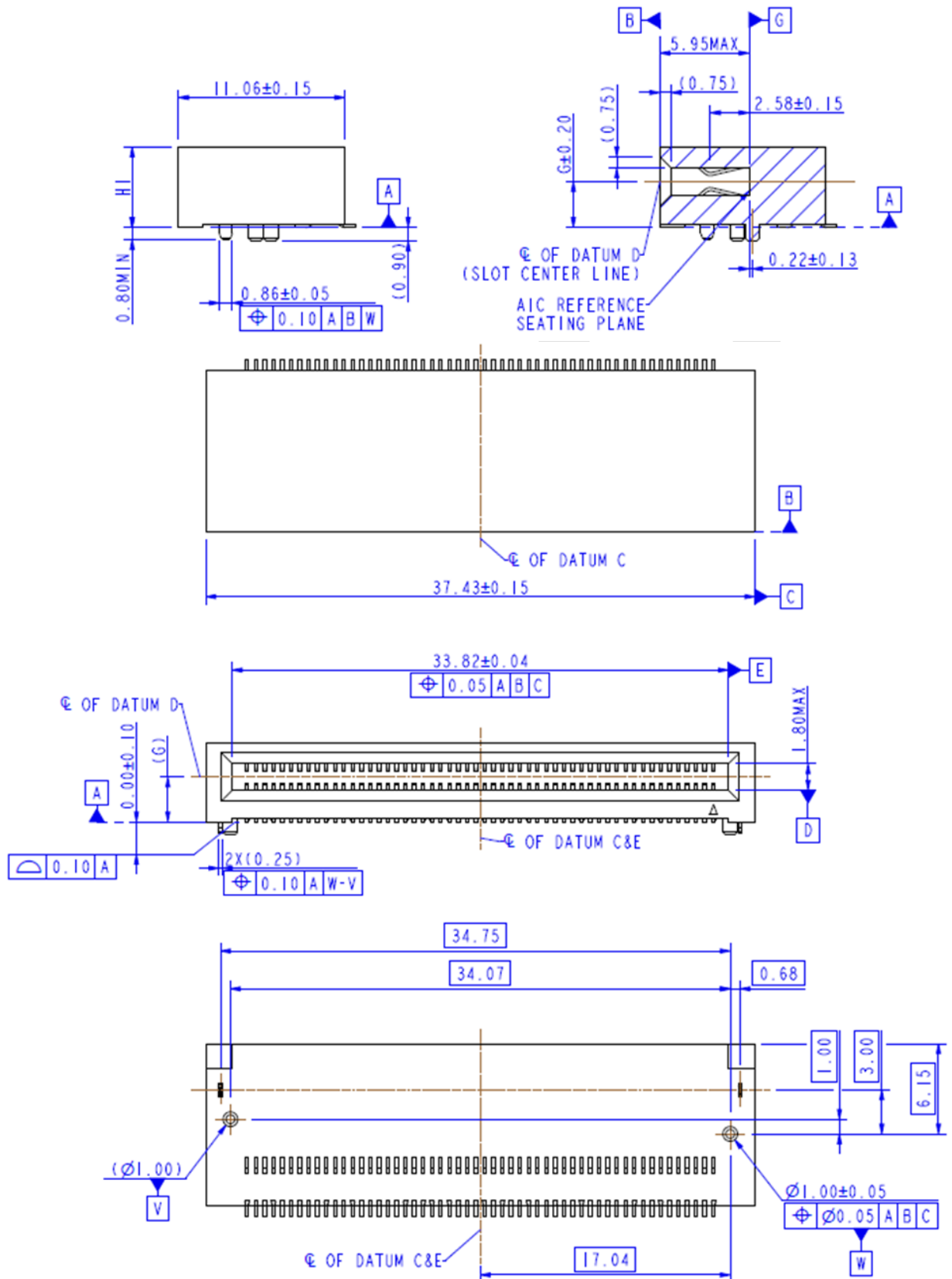


Figure 5-2 Right Angle PMM x16 108pin Connector Dimensions

5.2.3 Right Angle PMM Power Connector

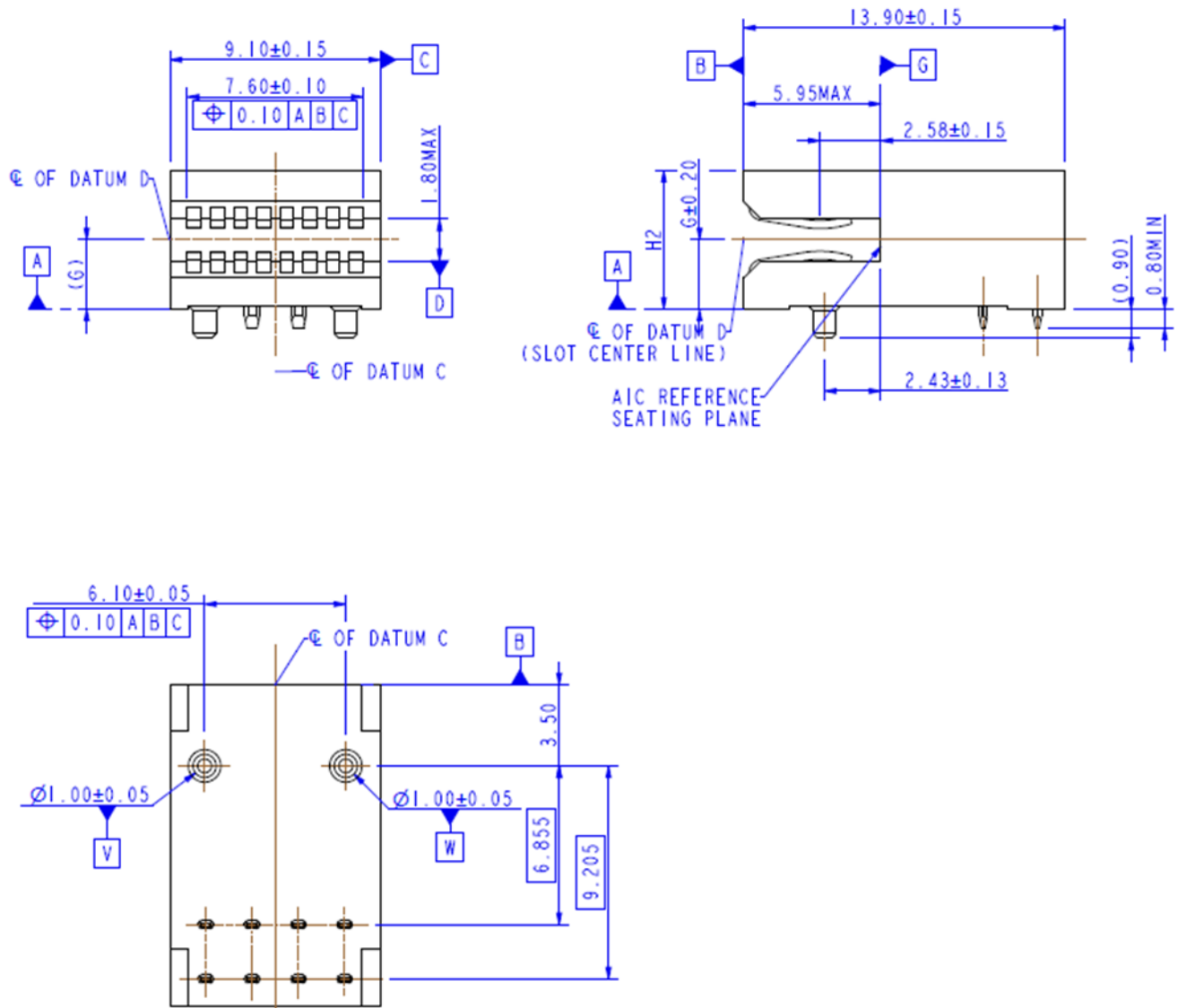


Figure 5-3 Right Angle PMM Power Connector Dimensions

5.3 Mechanical Description: Vertical Connector

5.3.1 Vertical PMM 4C+ EP Connector

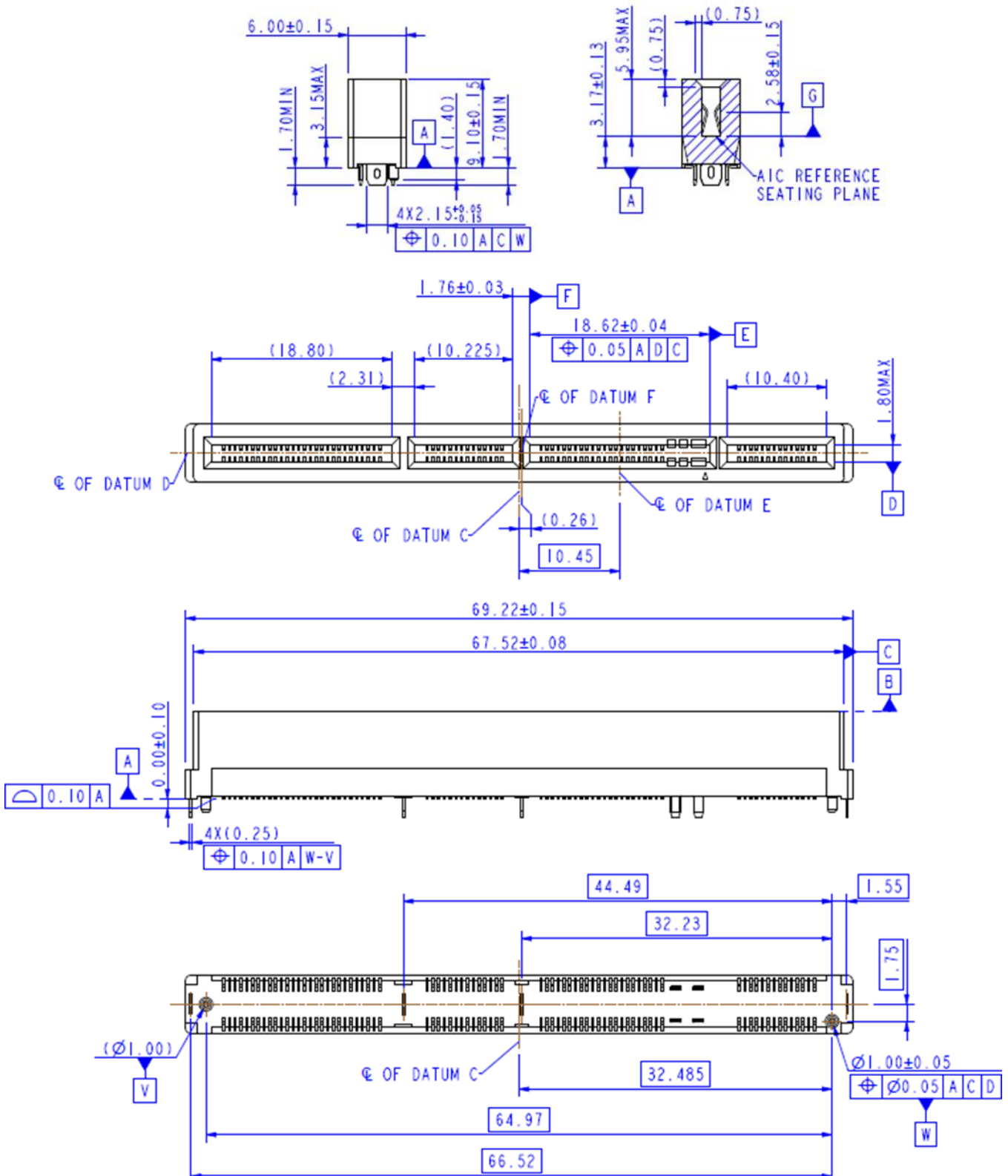


Figure 5-4 PMM 4C+ EP Vertical Connector Dimensions

5.3.2 Vertical PMM x16 108pin Connector

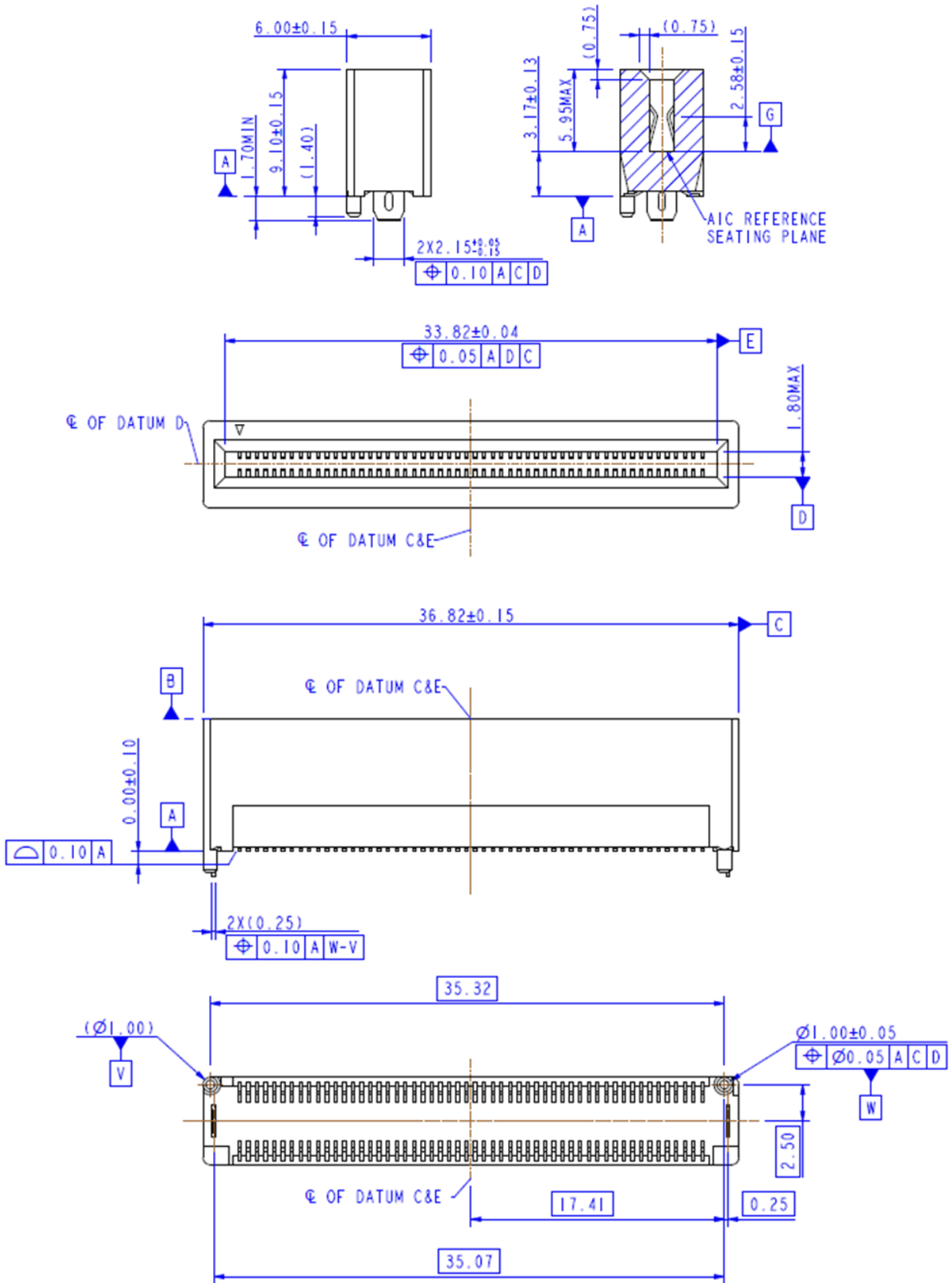


Figure 5-5 Vertical PMM x16 108pin Connector Dimensions

5.3.3 Vertical PMM Power Connector

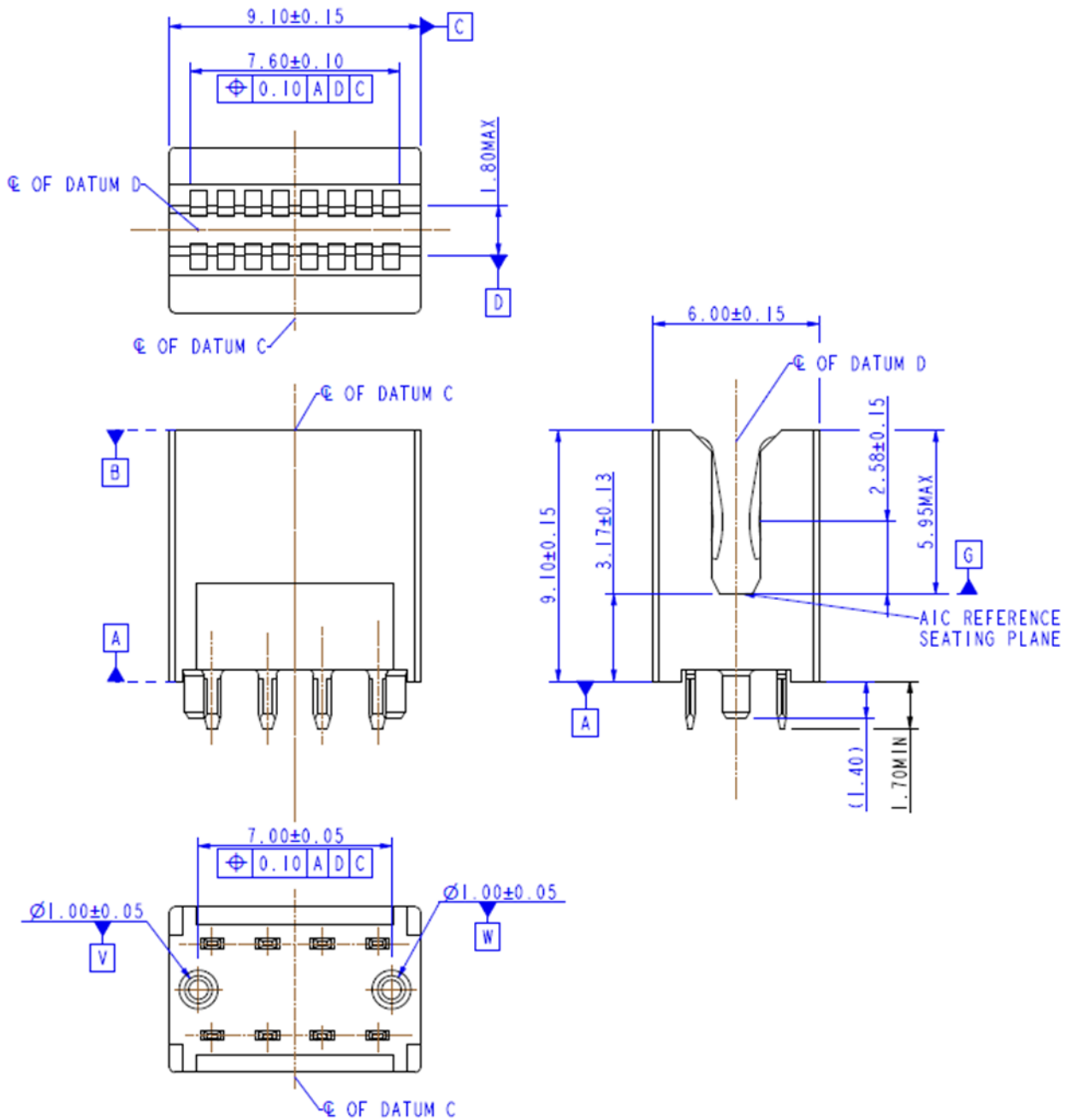
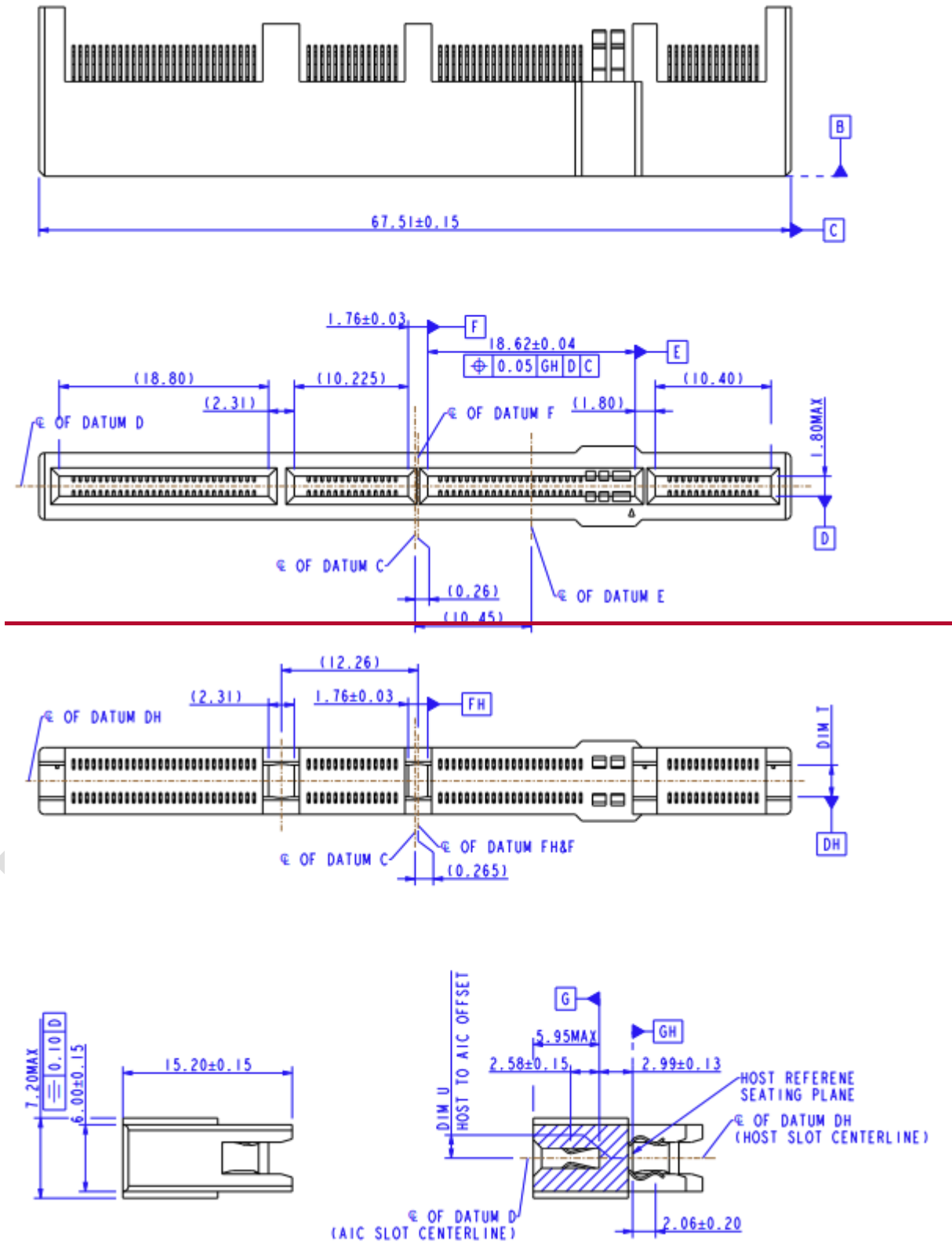


Figure 5-6 Vertical PMM Power Connector Dimensions

5.4 Mechanical Description: Straddle Mount Connector

5.4.1 Straddle Mount PMM 4C+ EP Connector



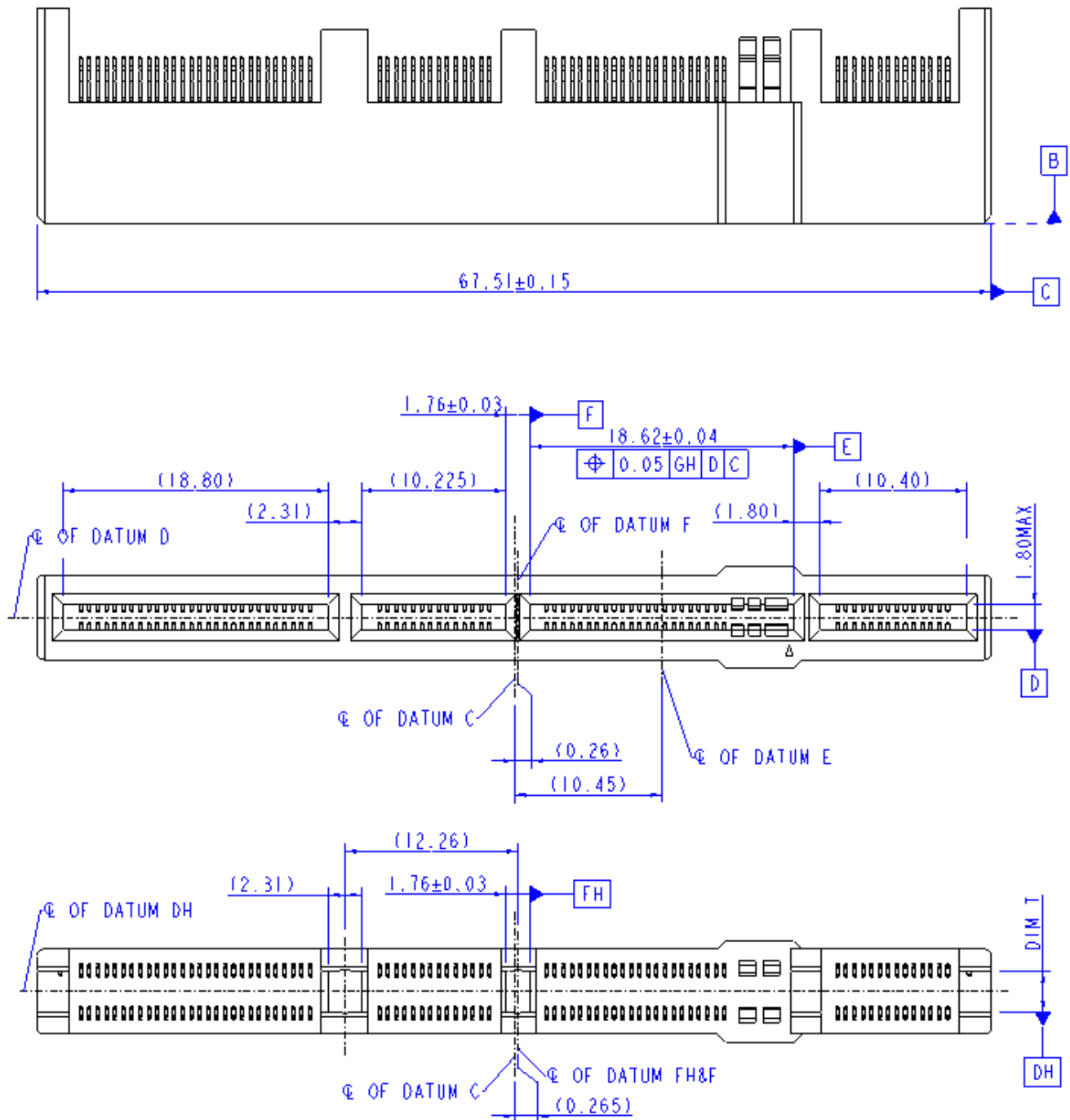


Figure 5-7 Straddle Mount PMM 4C+ EP Connector Dimensions

Table 5-2 Straddle Mount Host Board Thickness and Offset Variants (mm)

DIM T (Host Board Thickness)	DIM U (Offset)
2.36±0.23 (.093")	0.00 (0.000")
2.55±0.23 (.100")	0.00 (0.000")
3.05±0.23 (.120")	0.00 (0.000")

5.4.2 Straddle Mount PMM x16 108pin Connector

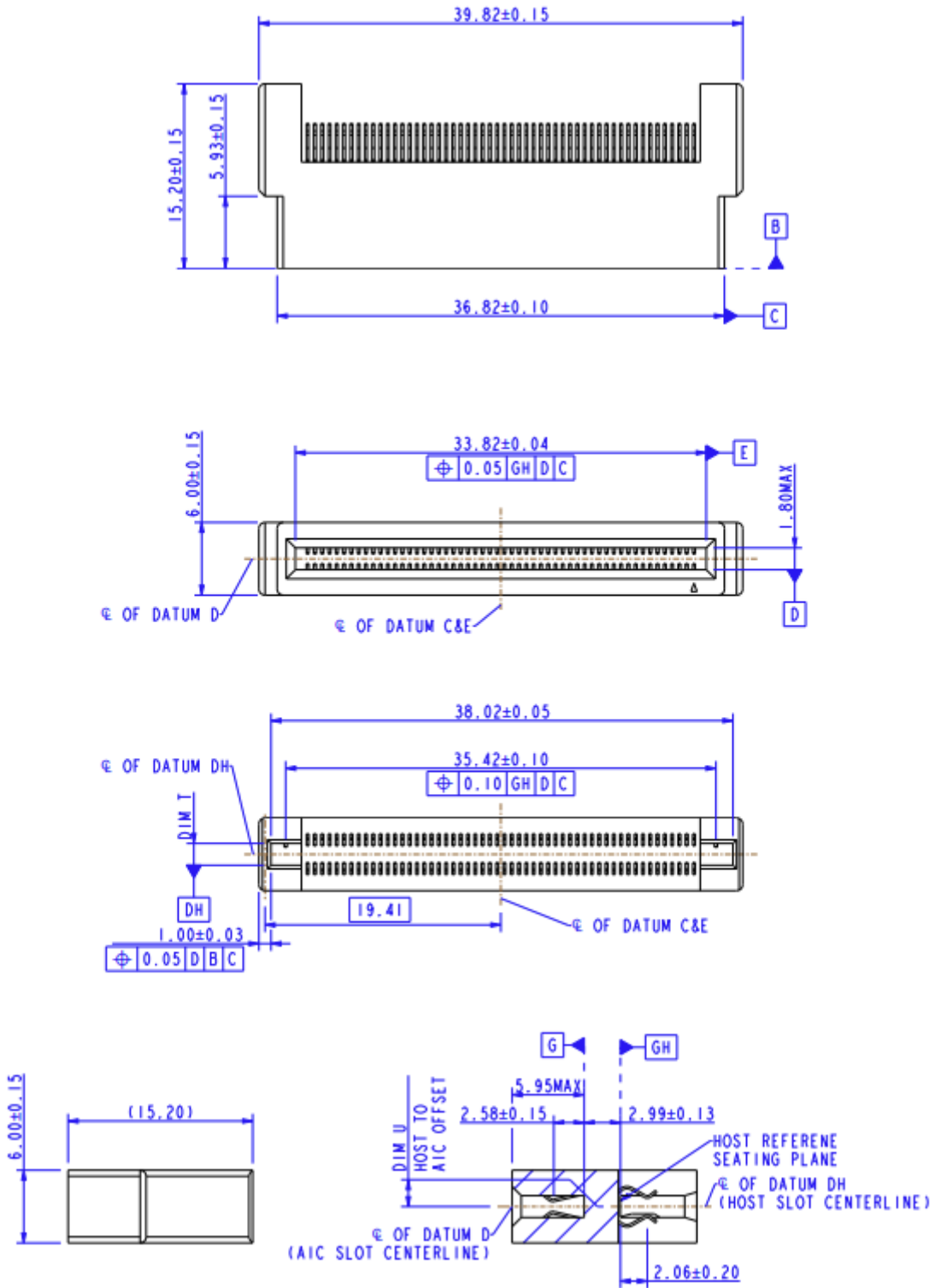
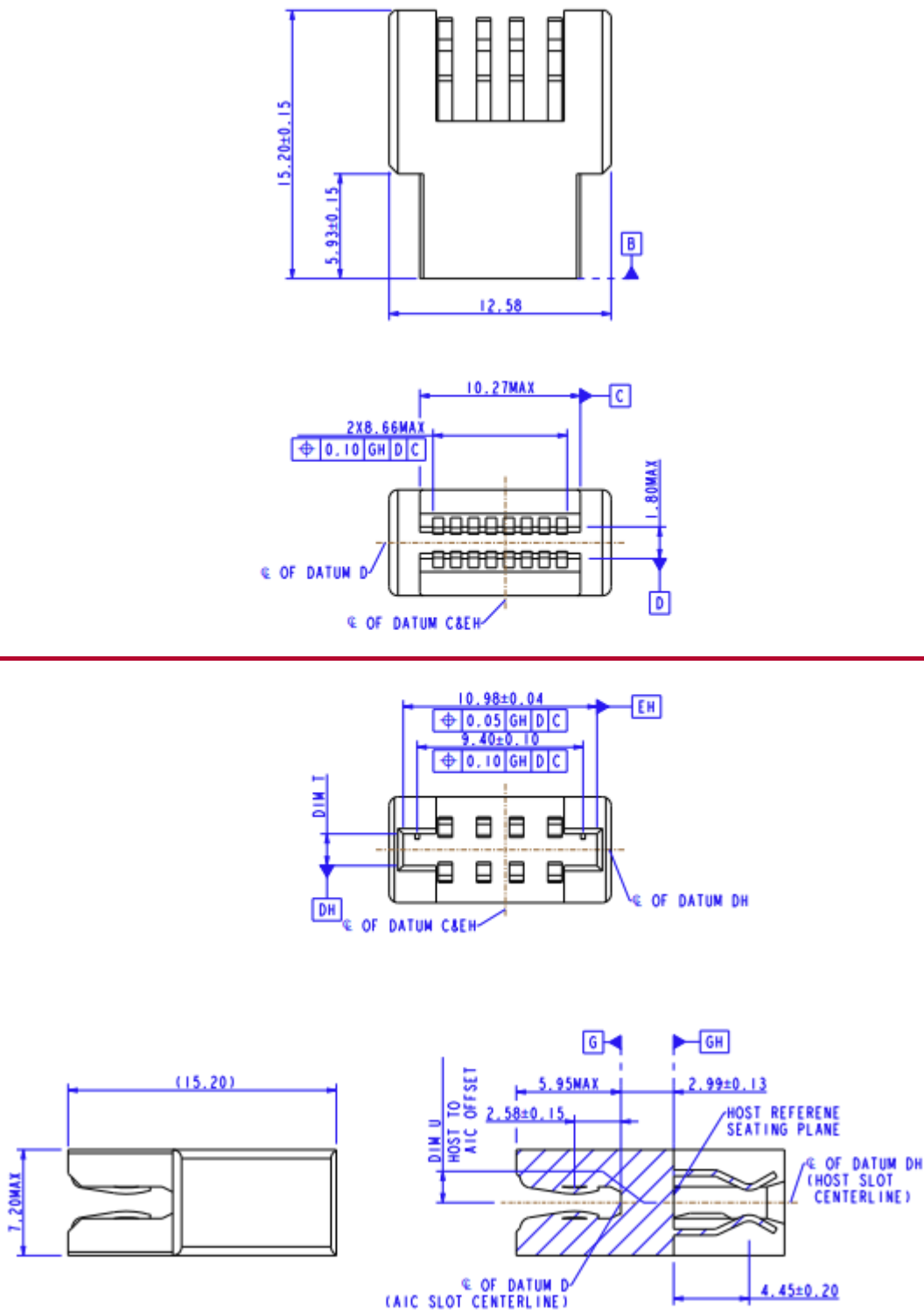


Figure 5-8 Straddle Mount PMM x16 108pin Connector Dimensions

5.4.3 Straddle Mount PMM Power Connector



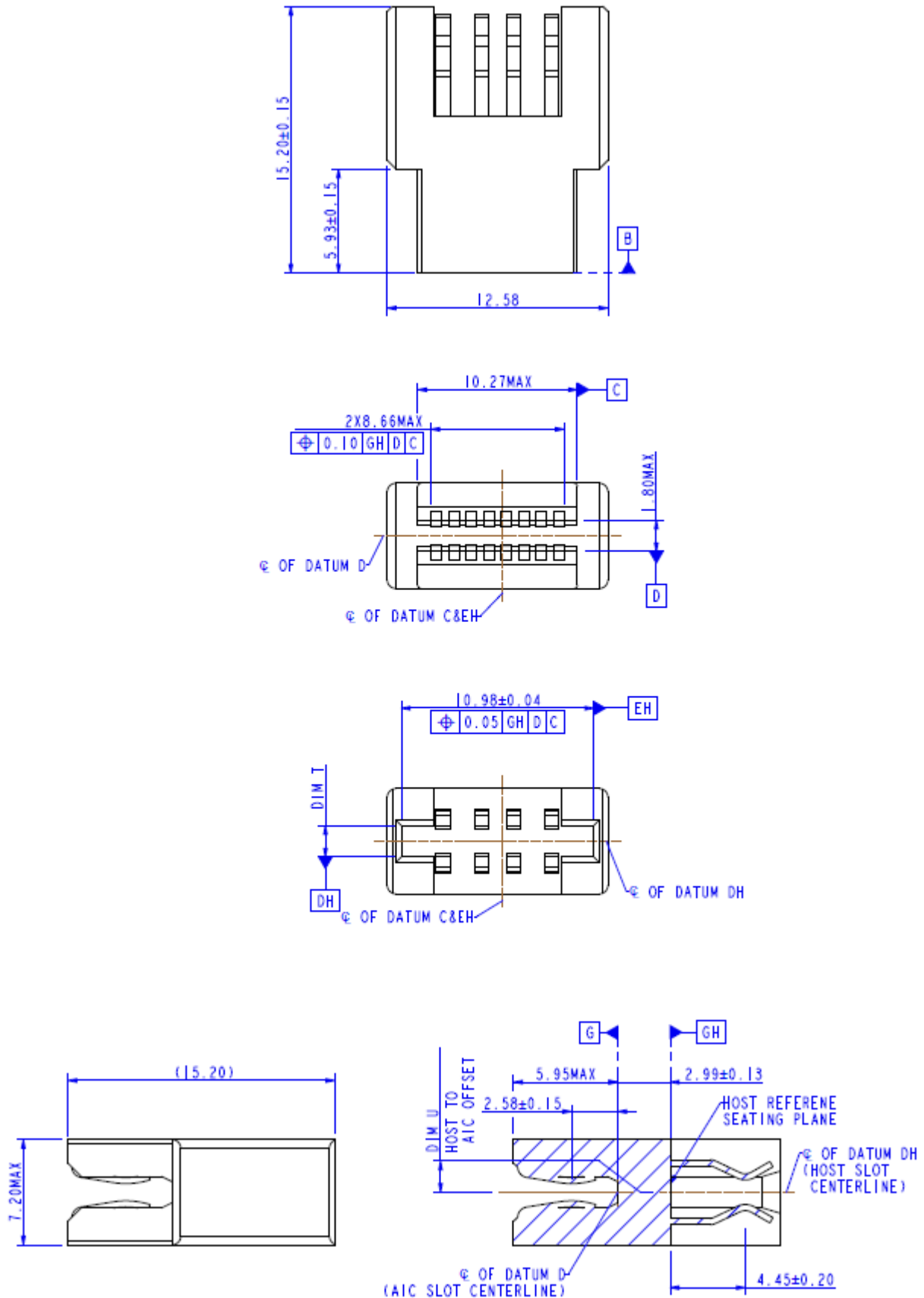


Figure 5-9 Straddle Mount PMM x16 108pin Connector Dimensions

5.5 Mechanical Description: Panel Mount Connector

Panel mount connector is attached to a chassis or a frame in use condition. The mounting feature varies case by case. This section specifies the connector mating interface. It leaves designers to implement the best mounting feature for their applications.

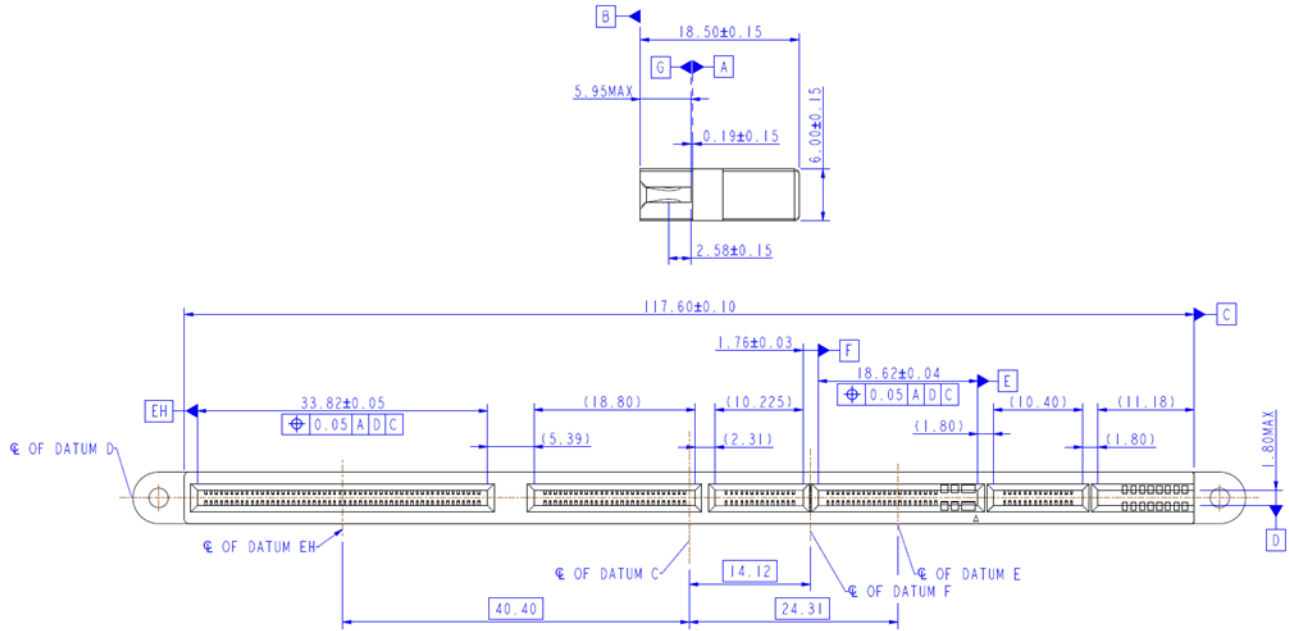


Figure 5-10 Panel Mount PMM Connector Dimensions

5.6 Connector Mating Contacts Outer Locus

The drawings in this section show the outer locus of the connector contacts at the mating interface

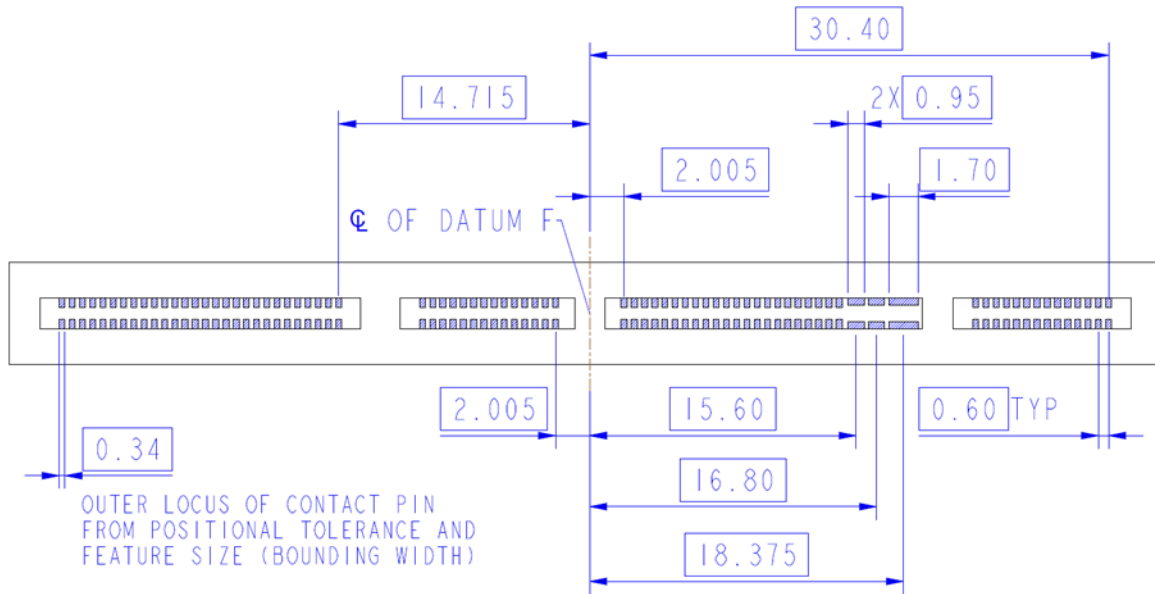


Figure 5-11 Outer Locus of PMM 4C+ EP Connector Mating Contacts

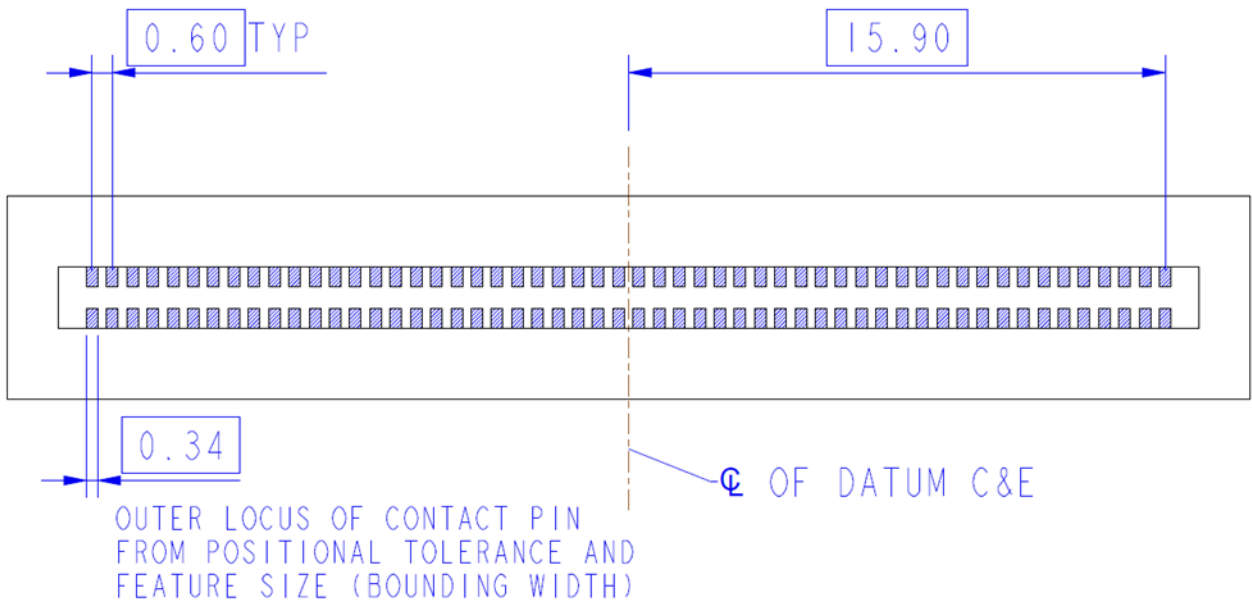


Figure 5-12 Outer Locus of PMM x16 108pin Connector Mating Contacts

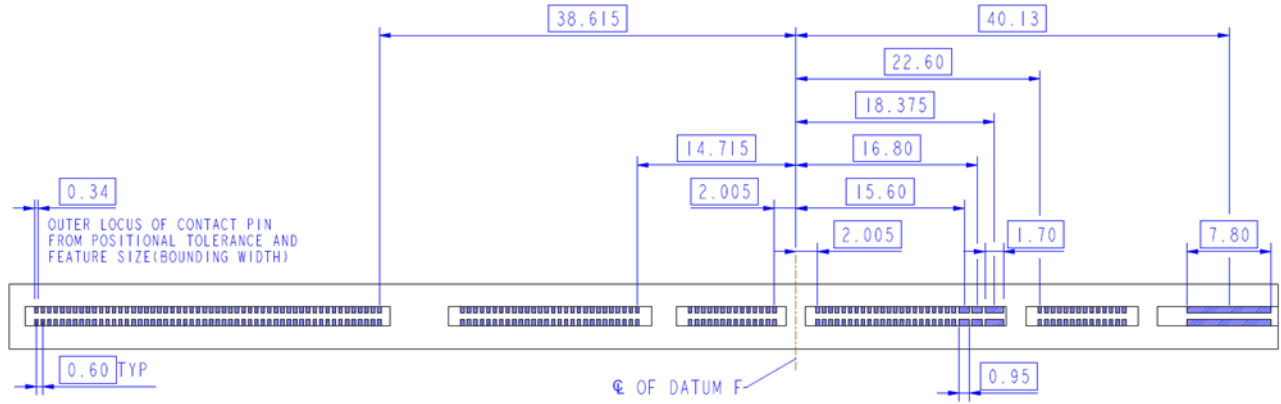


Figure 5-13 Outer Locus of Panel Mount PMM Connector Mating Contacts

DRAFT

5.7 Outer Locus of Connector Solder Leads

The drawings in this section show the outer locus of the connector solder leads that are intended to mate with the applicable PCB footprint pads and plated through holes for receptacle each connector type.

5.7.1 Outer Locus of Vertical Connector Solder Leads

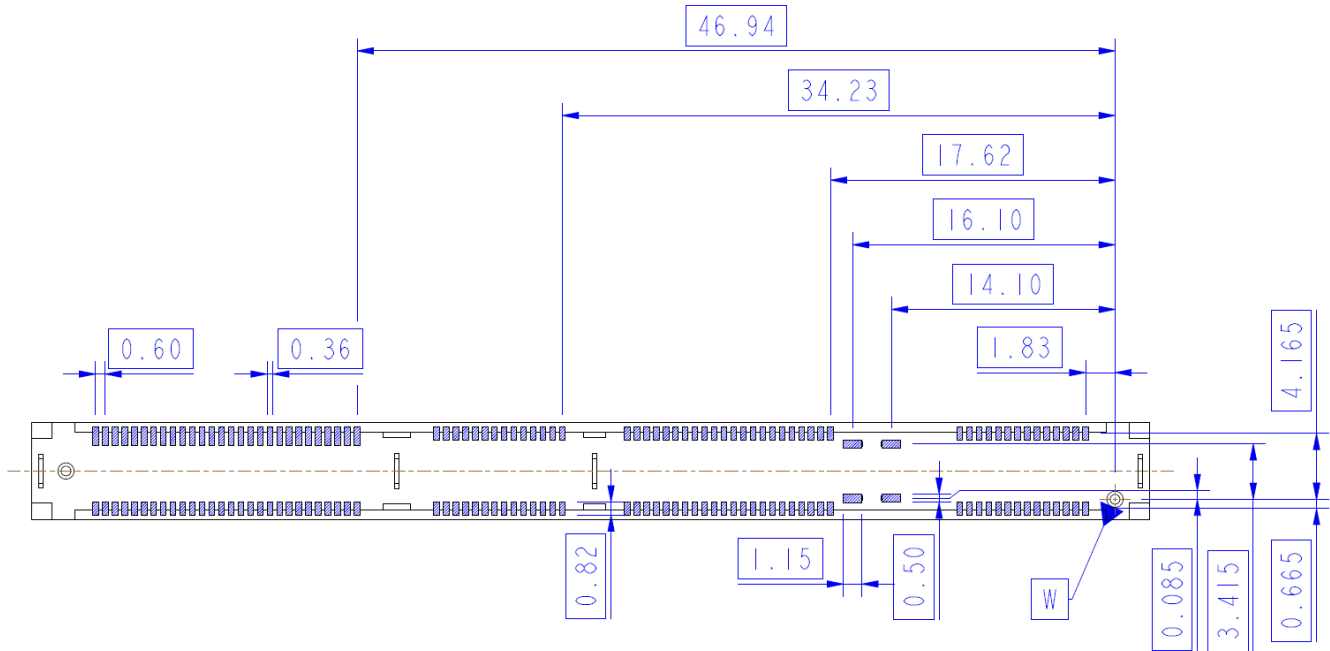


Figure 5-14 Outer Locus of Vertical PMM 4C+ EP Connector SMT leads

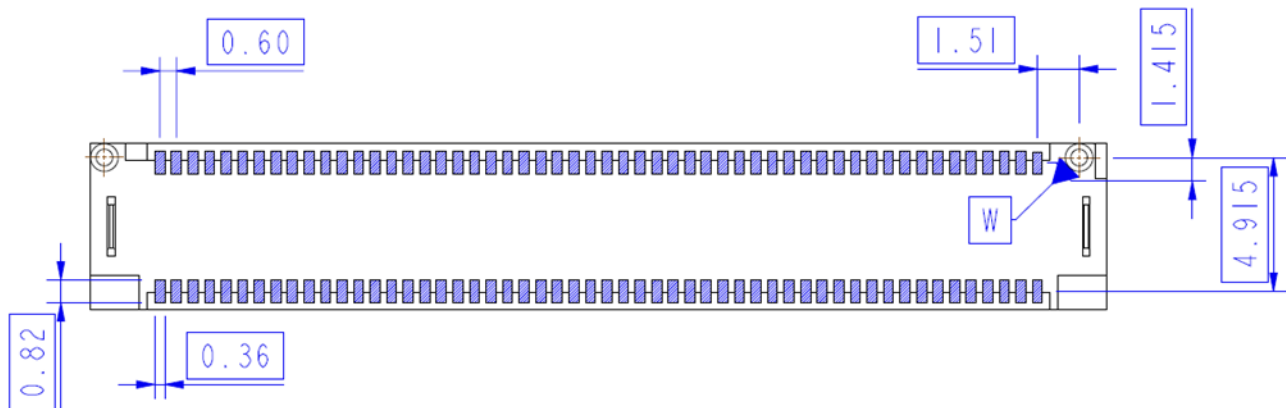


Figure 5-15 Outer Locus of Vertical PMM x16 108pin Connector SMT Leads

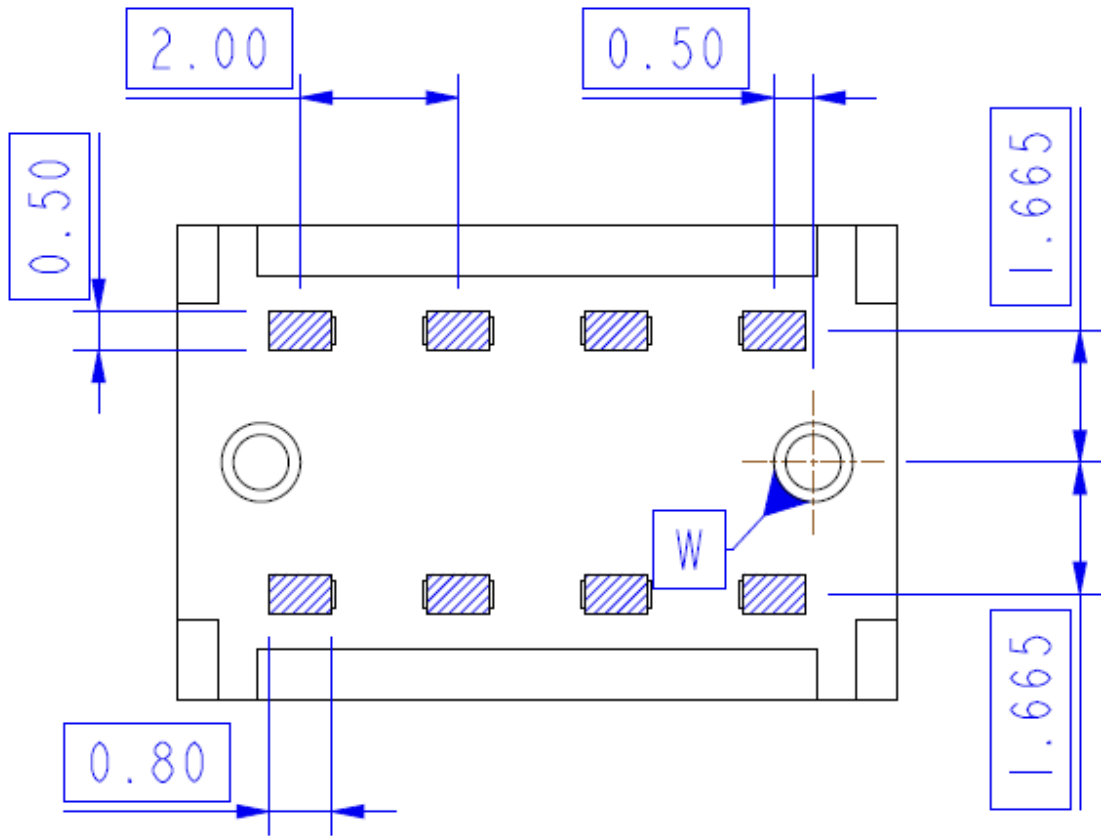


Figure 5-16 Outer Locus of Vertical PMM Power Connector Through Hole Tails

DRAFT

5.7.2 Outer Locus of Right Angle Connector Solder Leads

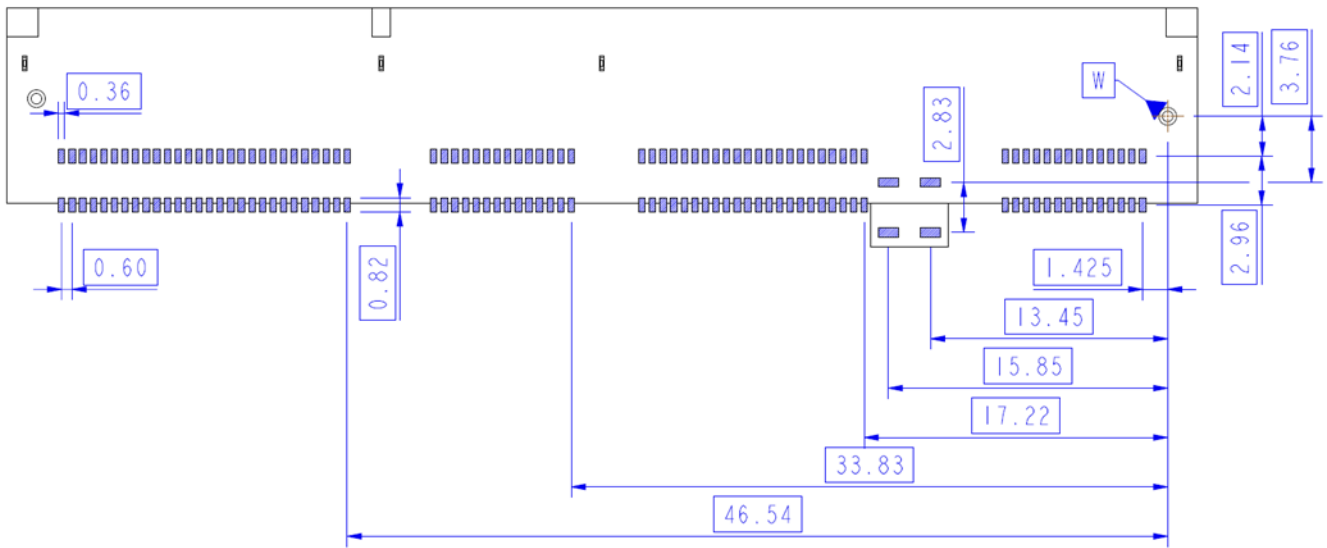


Figure 5-17 Outer Locus of Right Angle PMM 4C+ EP Connector SMT Leads

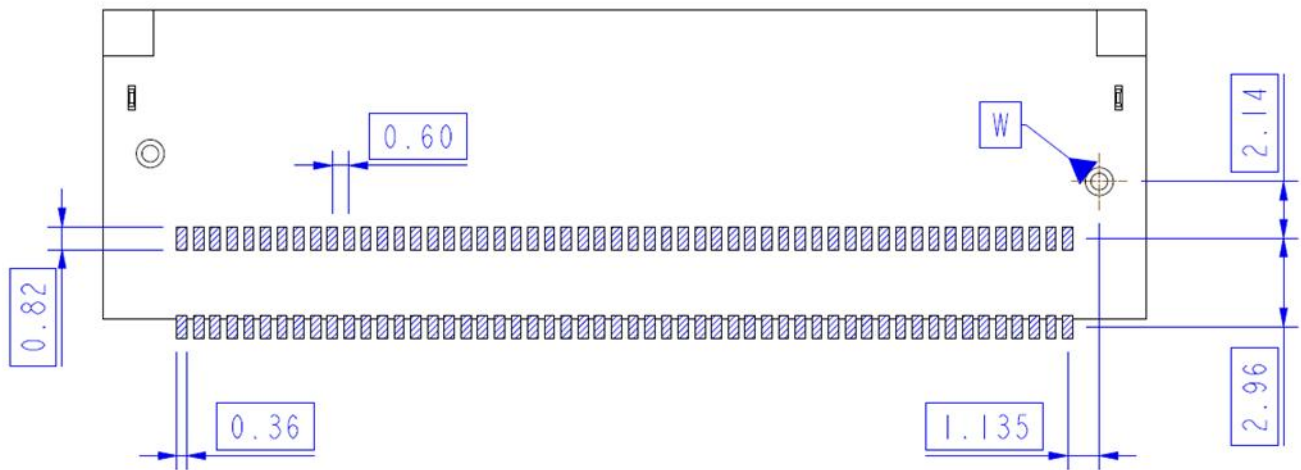


Figure 5-18 Outer Locus of Right Angle PMM x16 108pin Connector SMT Leads

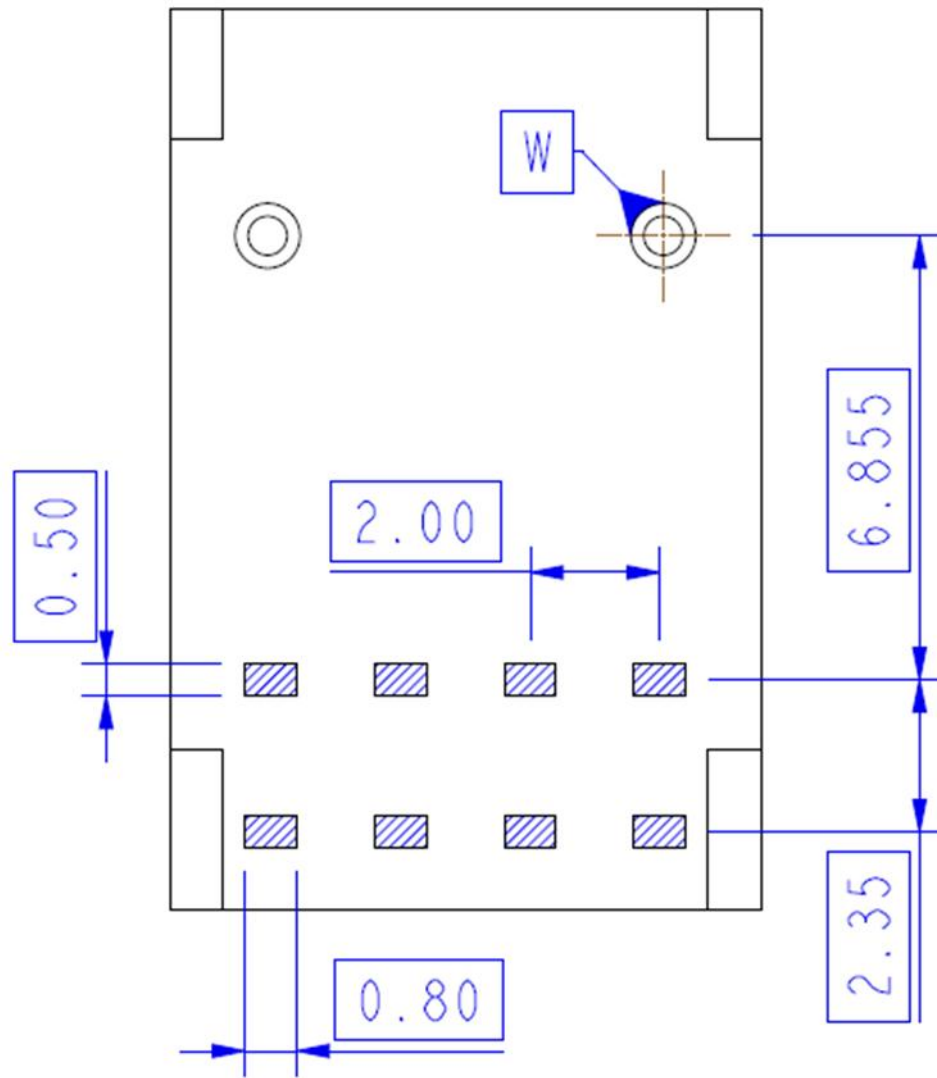


Figure 5-19 Outer Locus of Right Angle PMM Power Connector Through Hole Tails

5.7.3 Outer Locus of Straddle Mount Connector Solder Leads

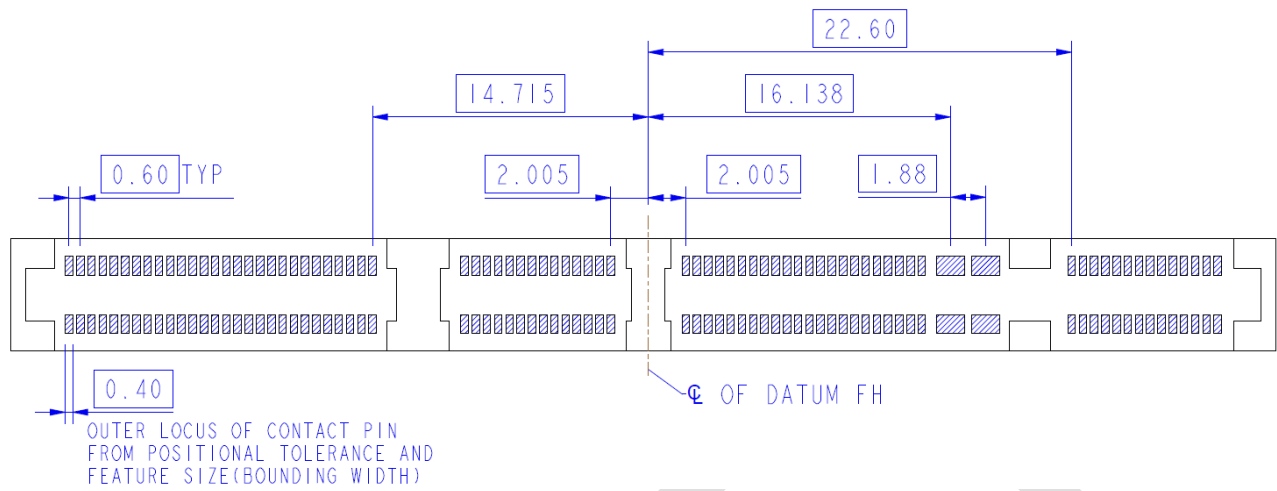


Figure 5-20 Outer Locus of Straddle Mount PMM 4C+ EP Connector SMT Leads

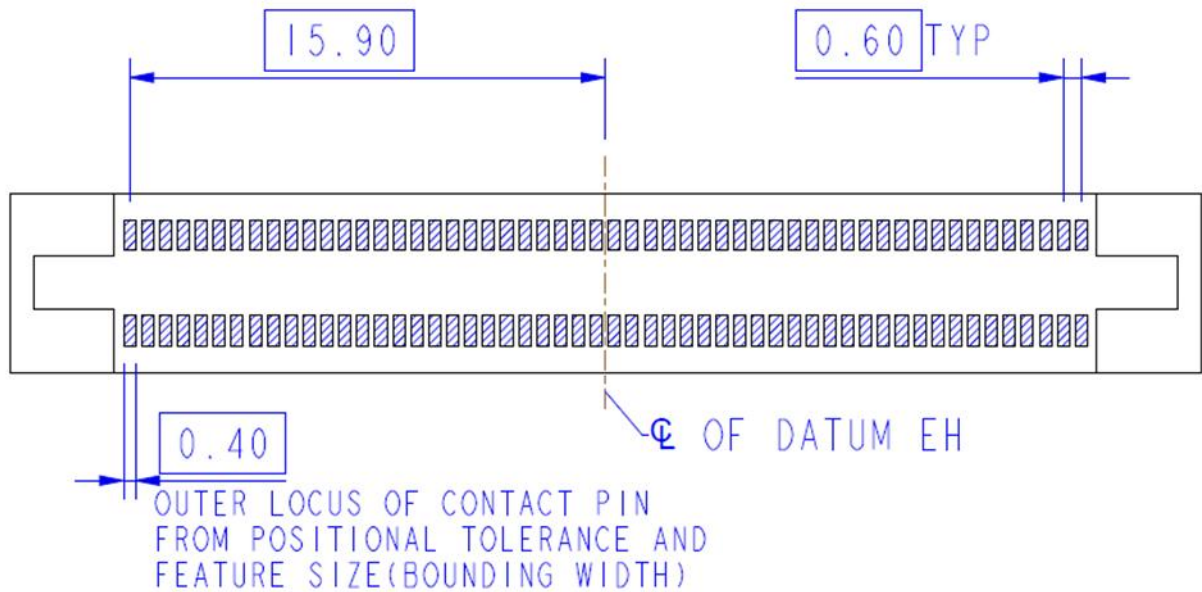


Figure 5-21 Outer Locus of Straddle Mount PMM x16 108pin Connector SMT Leads

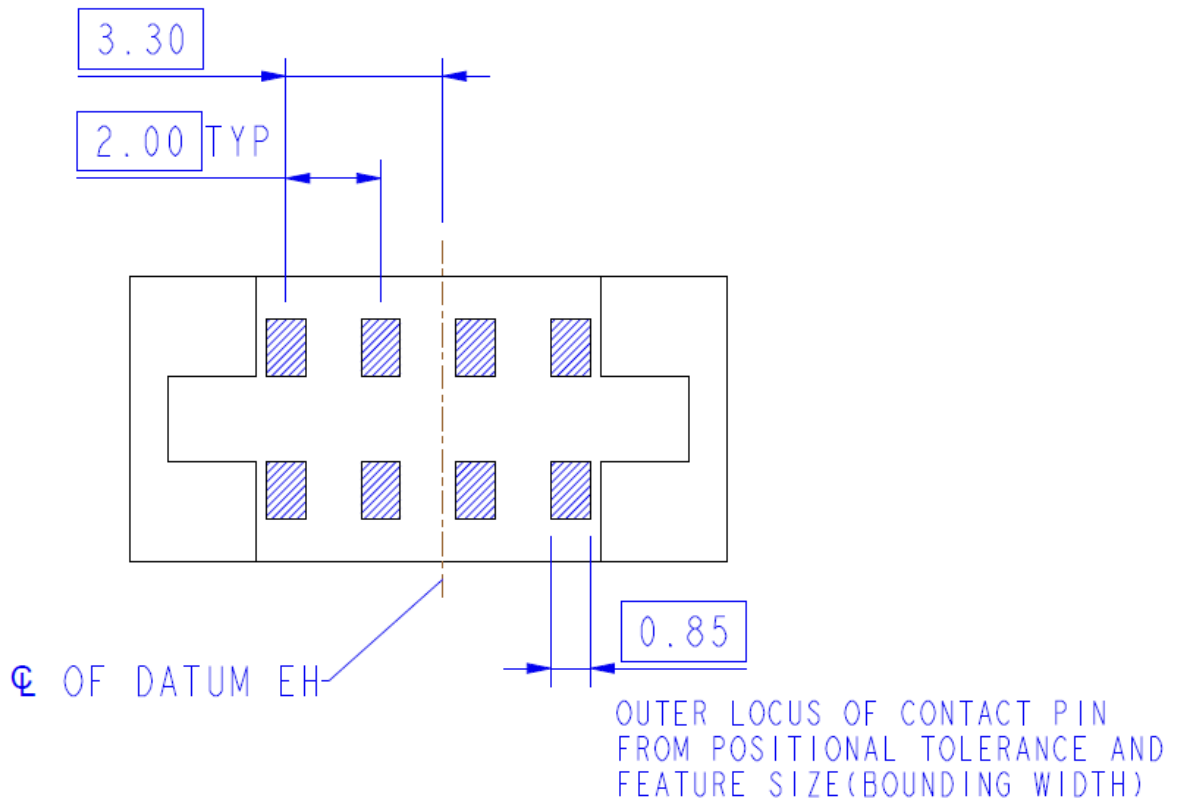
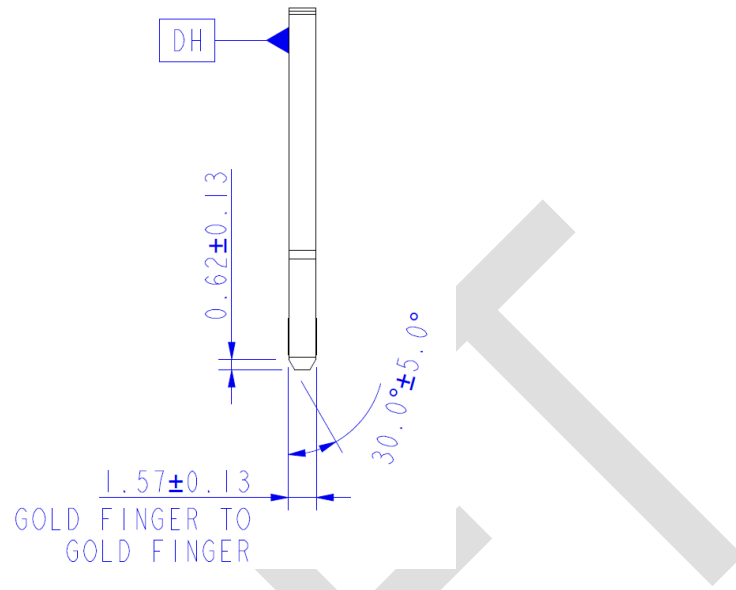
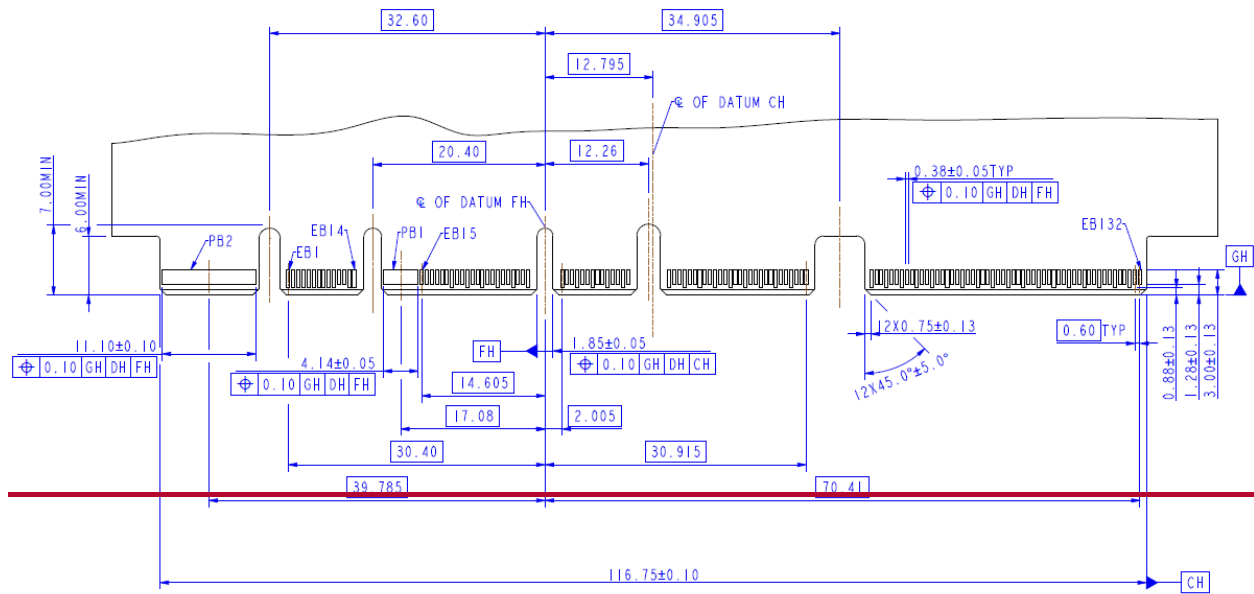


Figure 5-22 Outer Locus of Straddle Mount PMM Power Connector SMT Leads

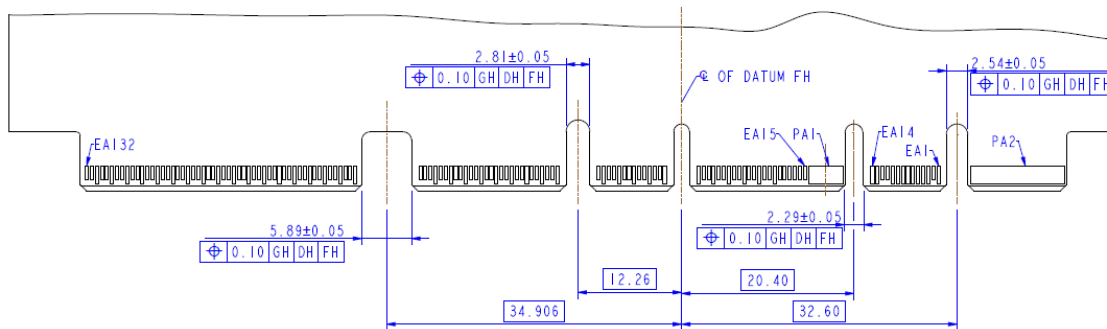
DRAFT

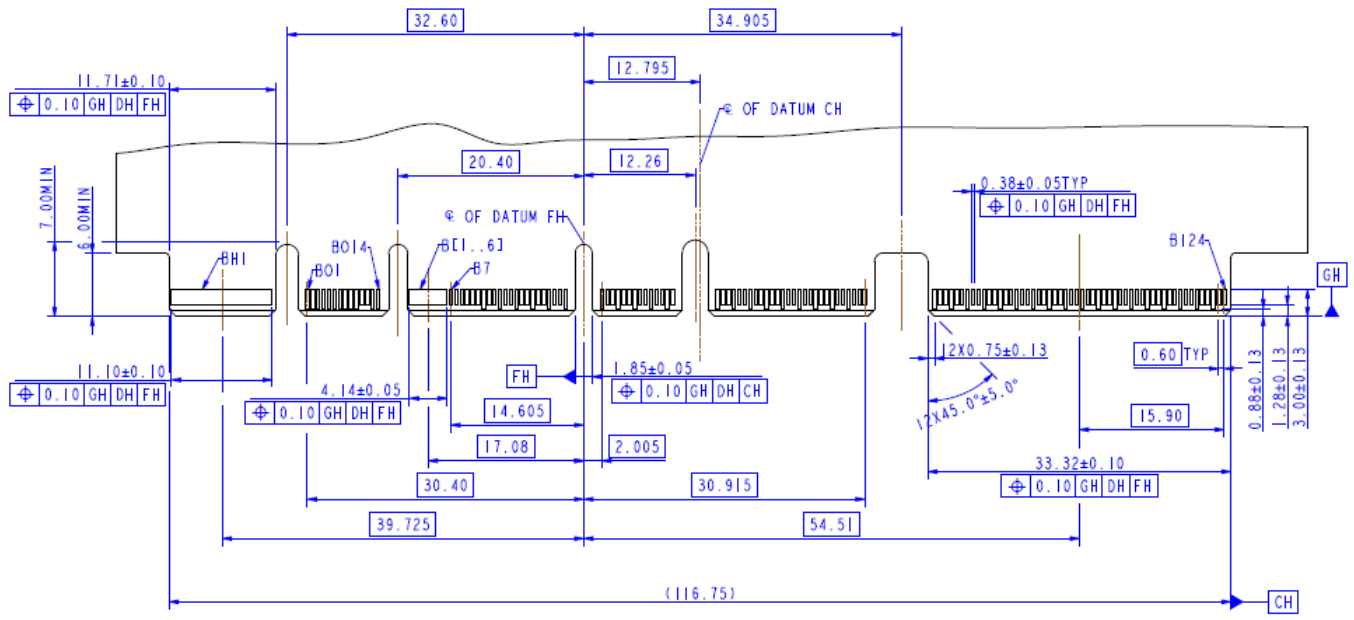
6. Add-In Card Mechanical Specification





NOTES: POSITION EAI ON OPPOSITE SIDE OF CARD EB1. DIMENSIONS FOR PAD LOCATIONS ARE TO CENTER OF THE PAD





NOTES: POSITION EAI ON OPPOSITE SIDE OF CARD EBI. DIMENSIONS FOR PAD LOCATIONS ARE TO CENTER OF THE PAD

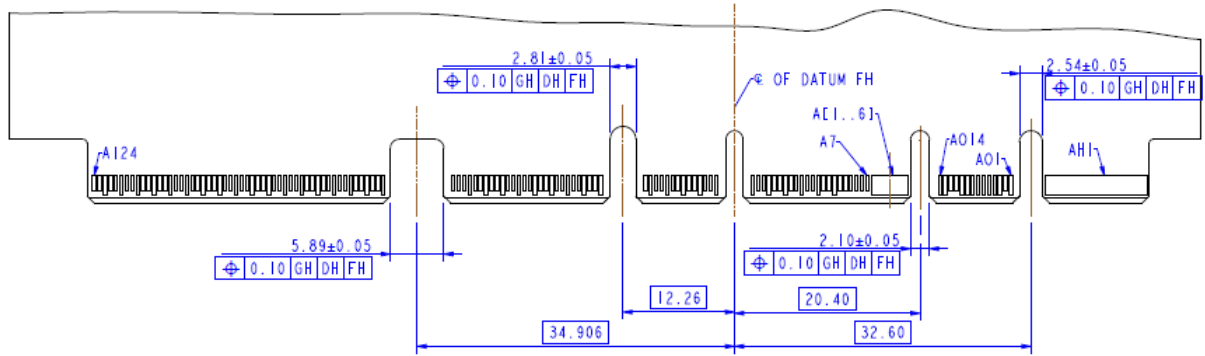


Figure 6-1 Add-In Card Mechanical Dimensions

7. Performance Requirements

7.1 Mechanical Testing and Performance

EIA-364-1000 (TS-1000) shall be used to define the test sequences and procedures for evaluating the connector system described in this document. Where multiple test options are available, the manufacturer shall select the appropriate option where not previously specified. The selected procedure should be noted when reporting data. If there are conflicting requirements or test procedures between EIA-364 procedures and those contained within this document, this document shall be considered the prevailing authority.

Unless otherwise specified, procedures for sample size, data, and collection to be followed as specified in EIA-364-1000. See EIA-364-1000 Annex B for objectives of tests and test groups.

[Table 7-1](#) summarizes the performance criteria that are to be satisfied by the connector described in this document. Most performance criteria are validated by EIA-364-1000 testing, but this test suite leaves some test details to be determined. To ensure that testing is repeatable, these details are identified in [Table 7-2](#). Finally, testing procedures used to validate any performance criteria not included in EIA-364-1000 are provided in [Table 7-3](#).

Refer to [Table 7-2](#) for connector electrical ratings and [Table 7-3](#) for electrical test requirements and procedures.

Table 7-1 Form Factor Performance Requirements

Mechanical Test Description	Procedure	Requirement
Mechanical Requirements		
Rated Durability Cycles	The expected number of durability cycles a component is expected to encounter over the course of its life.	200cycles
Mating Force	Amount of force needed to mate an add-in card with a Connector.	PMM 4C+ EP connector: 1.1 N/pin pair maximum for signal pin, and 14N max for power segment PMM x16 108p connector: 1.1 N/pin pair maximum PMM power connector: 32 N max
Unmating Force	Amount of forced needed to separate an add-in card from a connector.	PMM 4C+ EP connector: 0.1 N/pin pair minimum for signal pin, 1N min for power segment PMM x16 108p connector: 0.1 N/pin pair minimum PMM power connector: 2N min
Environmental Requirements		
Field Life	The expected service life for a component	7 years
Field Temperature	The expected service temperature for a component	-40°C to +85°C
Storage Temperature*	The expected storage temperature for a component when not in use	-20°C to +80°C

Mechanical Test Description	Procedure	Requirement
Storage Humidity*	The expected storage humidity for a component when not in use	80% Relative Humidity
Electrical Requirements		
Current*	Maximum current to which a contact is exposed in use	PMM 4C+ EP connector: 17A per power pin; 1.1A per signal pin. PMM x16 108pin connector: 1.1A per pin PMM power connector: 34A per power pin
Operating* Rating Voltage	Maximum voltage to which a contact is exposed in use	29V DC per contact MAX
NOTE: Performance criteria denoted with stars (*) are not validated by EIA-364-1000 testing. Refer to Table 7-3 for test procedures and pass/fail criteria.		

[Table 7-2](#) describes the details necessary to perform the tests described in the EIA-364-1000 test sequences. Testing shall be done in accordance with EIA-364-1000 and the test procedures it identifies in such a way that the parameters/ requirements defined in [Table 7-1](#) are met. Any information in this table supersedes EIA-364-1000.

Table 7-2 EIA-364-1000 Test Details

Test	Test Descriptions and Details	Pass/ Fail Criteria
Mechanical/ Physical Tests		
Durability (preconditioning)	EIA-364-09 Use appropriate AIC. Perform required cycles for connector grade required per the table below. Plug and unplug cycles at a rate of 25.4 mm/minute, replace mating card after 25 cycles	No evidence of physical damage
Durability (see Note 1)	EIA-364-09 Use appropriate AIC. Perform required cycles for connector grade required per the table below. Plug and unplug cycles at a rate of 25.4 mm/minute, replace mating card after 25 cycles	No evidence of physical damage
Mechanical Shock	EIA-364-27, Test Condition A Alternately, for DIMM applications, Trapezoidal shock 50 G, ± 10% Duration 11 ms Velocity change 170 inch/sec, ± 10% Three drops in each of six directions are applied to each of the samples Shock and Vibration board design should have proper footprint to mate to the connector and test equipment and not produce resonances across the test frequency profile.	Electrical, mechanical and environmental criteria
Vibration	EIA-364-28 Test Condition D Random profile: 5 Hz @ 0.01 g ² /Hz to 20 Hz @ 0.02 g ² /Hz (slope up) 20 Hz to 500 Hz @ 0.02 g ² /Hz (flat) Input acceleration is 3.13 g RMS 10 minutes per axis for all 3 axes on all samples Random control limit	No discontinuities of ≥ 1 microsecond electrical, mechanical and environmental criteria

Test	Test Descriptions and Details	Pass/ Fail Criteria
	tolerance is ± 3 dB Shock and Vibration board design should have proper footprint to mate to the connector and test equipment and not produce resonances across the test frequency profile.	
Reseating	Manually unplug/plug the connector. Perform 3 cycles	No evidence of physical damage
Environmental Tests		
Temperature Life	EIA-364-17, Method A (without electrical load) Test Temperature and Test Duration per EIA 364-1000 Table 8	Electrical, mechanical and environmental criteria
Temperature Life (Preconditioning)		
Cyclic Temperature and Humidity	EIA-364-31B, Method III without conditioning, initial measurements, cold shock and vibration. Ramp times should be 0.5 hour and dwell times should be 1.0 hour. Dwell times start when the temperature and humidity have stabilized within specified levels, perform 24 cycles in mated condition.	Electrical, mechanical and environmental criteria
Thermal Shock	EIA-364-32, Method A, Table 2, Test Condition 1 -55 °C to 85 °C, perform 5 cycles in mated condition	Electrical, mechanical and environmental criteria
Thermal Disturbance	EIA-364-1000 Cycle the connector between 15 ± 3 °C and 85 ± 3 °C, as measured on the part. Ramps should be a minimum of 2 °C/minute. Dwell times should ensure that the contacts reach the temperature extremes (a minimum of 5 minutes), humidity is not controlled; perform 10 cycles in mated condition.	Electrical, mechanical and environmental criteria
Mixed Flowing Gas (see Note 2)	EIA-364-65 Class IIA, Option 4 Expose all specimens in the mated condition for the total mixed flowing gas exposure duration per EIA-364-1000 Table 4.	Electrical, mechanical and environmental criteria
Electrical Tests		
Low Level Contact Resistance (see Note 3)	EIA-364-23 20 mV DC MAX, 100 mA MAX (termination of connector to board carrier shall be included in the measurements)	15 m Ω MAX change from baseline
Dielectric Withstanding Voltage	EIA 364-20 Method B Test between adjacent contacts of unmated connector assemblies. Voltage: 300 VAC, Current leakage: 0.5 mA max. Note: This specification intentionally deviates from EIA 364-20 standard procedure.	1 minute hold with no breakdown or flashover
Insulation Resistance	EIA 364-21 After 100 VDC for 1 minute, measure the insulation resistance between the adjacent contacts of unmated connector assemblies.	1,000 M Ω minimum.
NOTES:		
<ol style="list-style-type: none"> 1. If the durability requirement on the connector is greater than that of the module, modules may be replaced after their specified durability rating. 2. Test option, temperature, duration must be reported. 3. The first low level contact resistance reading in each test sequence is used to determine a baseline measurement. Subsequent measurements in each sequence are measured against this baseline. 		

DRAFT

Table 7-3 describes the testing procedures necessary to validate performance criteria not validated by EIA-364-1000 testing. The tests are to be performed in such a way that the parameters/ requirements defined in Table 7-1 are met.

Table 7-3 Additional Test Procedures

Test	Test Descriptions and Details	Pass/ Fail Criteria
Mechanical/ Physical Tests		
Mating Force	EIA-364-13 Axial Tension/Compression machine such as an Instron Tensile Tester. Rate: 25.4 mm/min. A gauge or AIC manufactured to the maximum thickness shall be used for testing purposes.	Refer to <u>Table 7-1</u> -AND- No physical damage to any components
Unmating Force	EIA-364-13 Axial Tension/Compression machine such as an Instron Tensile Tester. Rate: 25.4 mm/min. A gauge or AIC manufactured to the maximum thickness shall be used for testing purposes.	
Insertion Force (Connector to Board)	EIA-364-05 Axial Tension/Compression machine such as an Instron Tensile Tester.	
Environmental Tests		
Storage Temperature	EIA-364-32 Method A, Test Condition 1, Duration 4 Use min and max Field Temperatures listed in <u>Table 7-1</u> for temperature range	Refer to <u>Table 7-1</u>
Storage Humidity	EIA-364-31	Refer to <u>Table 7-1</u>
Electrical Tests		
Current Rating	EIA-364-70 Method 3, 30-degree temperature rise Test fixture design reference is shown in Appendix C	Refer to <u>Table 7-1</u> for current magnitude

8. Electrical Characteristics

Refer to *SFF-TA-1002 Card Edge multilane protocol agnostic connector specification* for high-speed performance requirements for the connectors.

DRAFT

Appendix A. System Mechanical Specification (Informative)

A.1 Overview

All material within this section, whether defined as normative or informative, is subject to IP disclosure and RAND terms by SNIA SFF TA TWG member companies.

A.2 PCB Layout

A.2.1 Recommended PCB Layout for Right Angle Connector Footprints

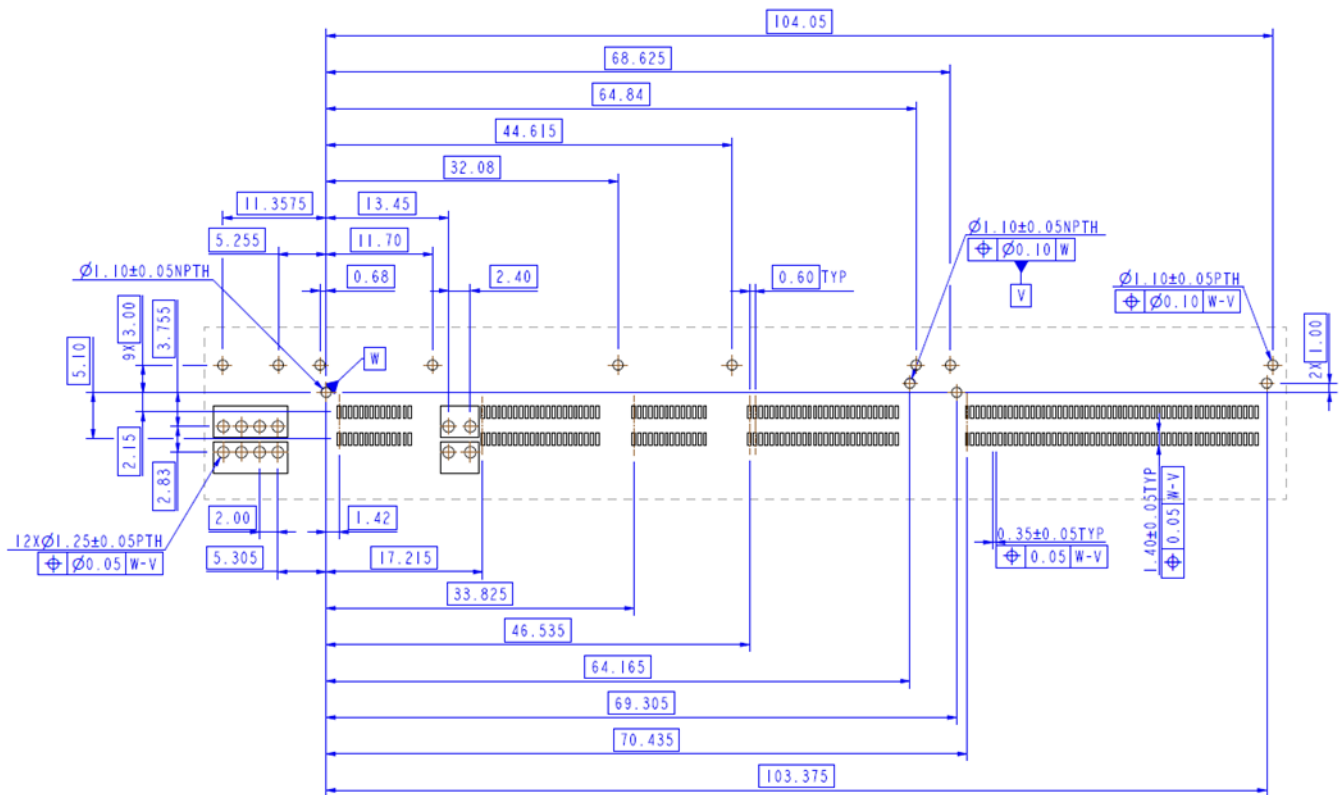


Figure A-1 Recommended Footprints for Right Angle Connector

A.2.2 Recommended PCB Layout for Vertical Connector Footprints

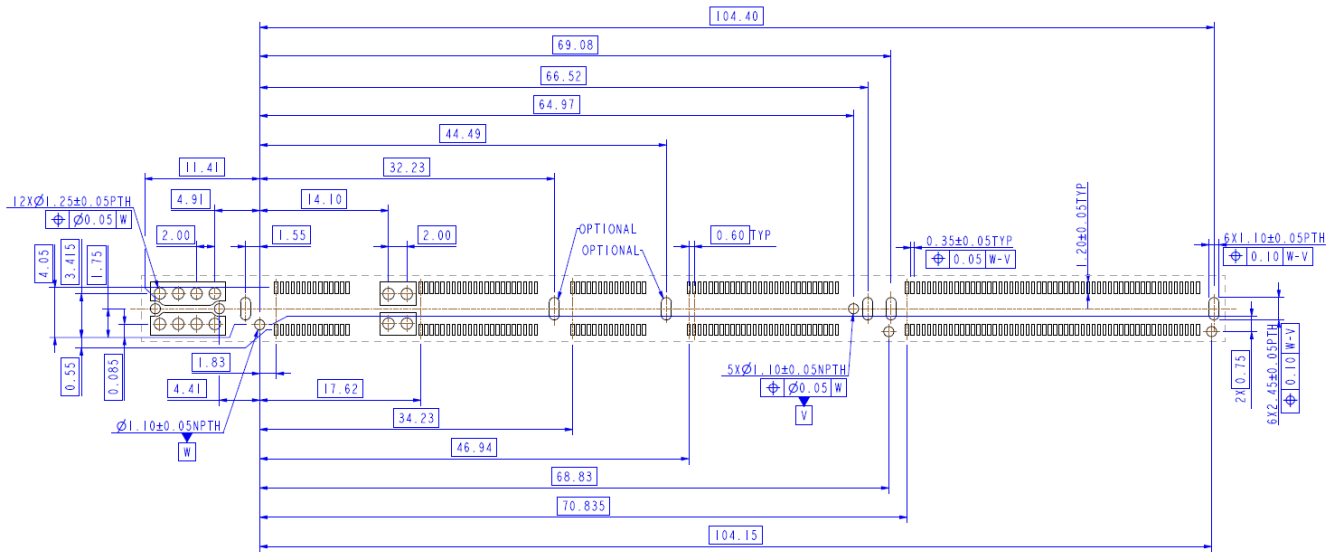
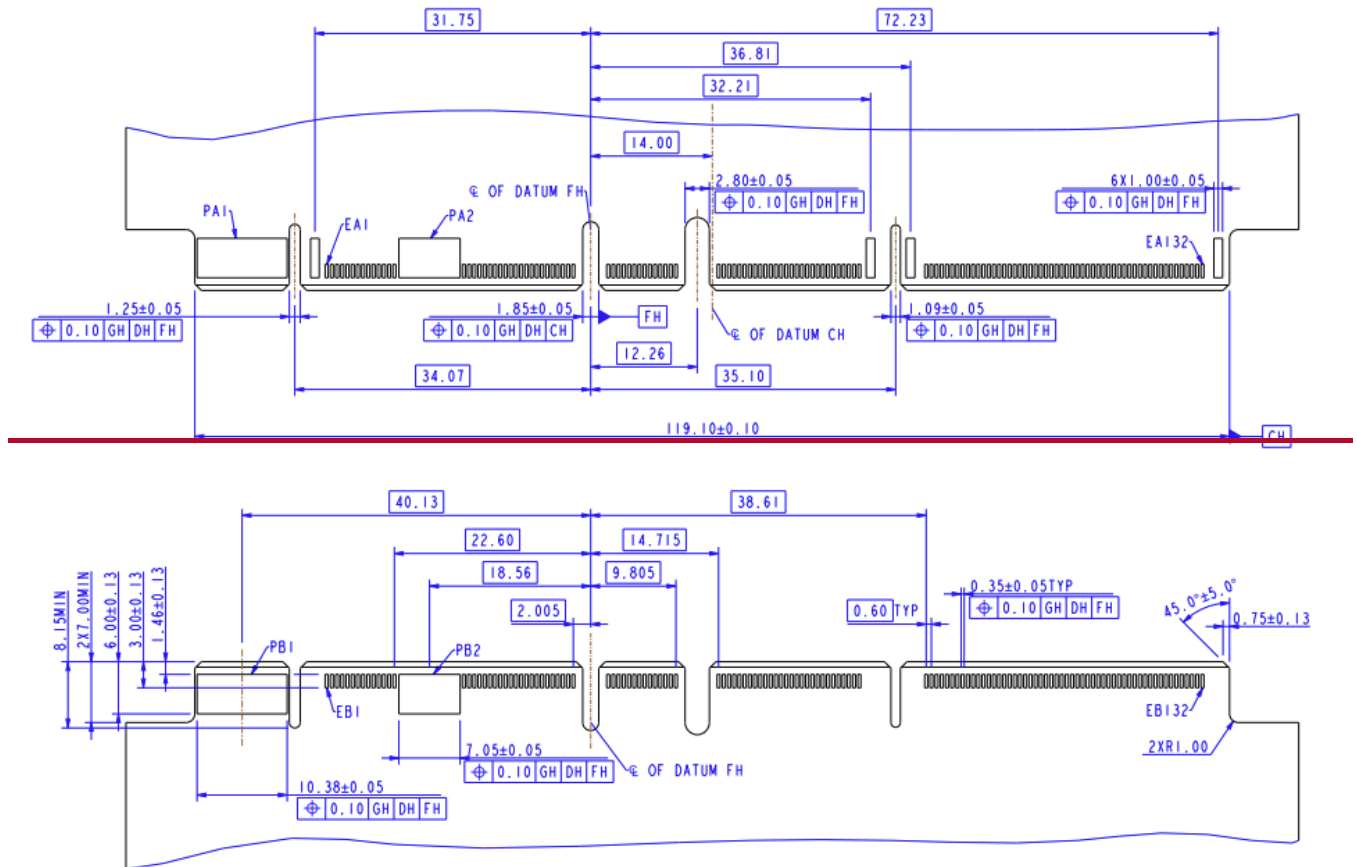


Figure A-2 Recommended Footprint for Vertical Connector

DRAFT

A.2.3 Recommended PCB Layout for Straddle Mount Connector Footprints



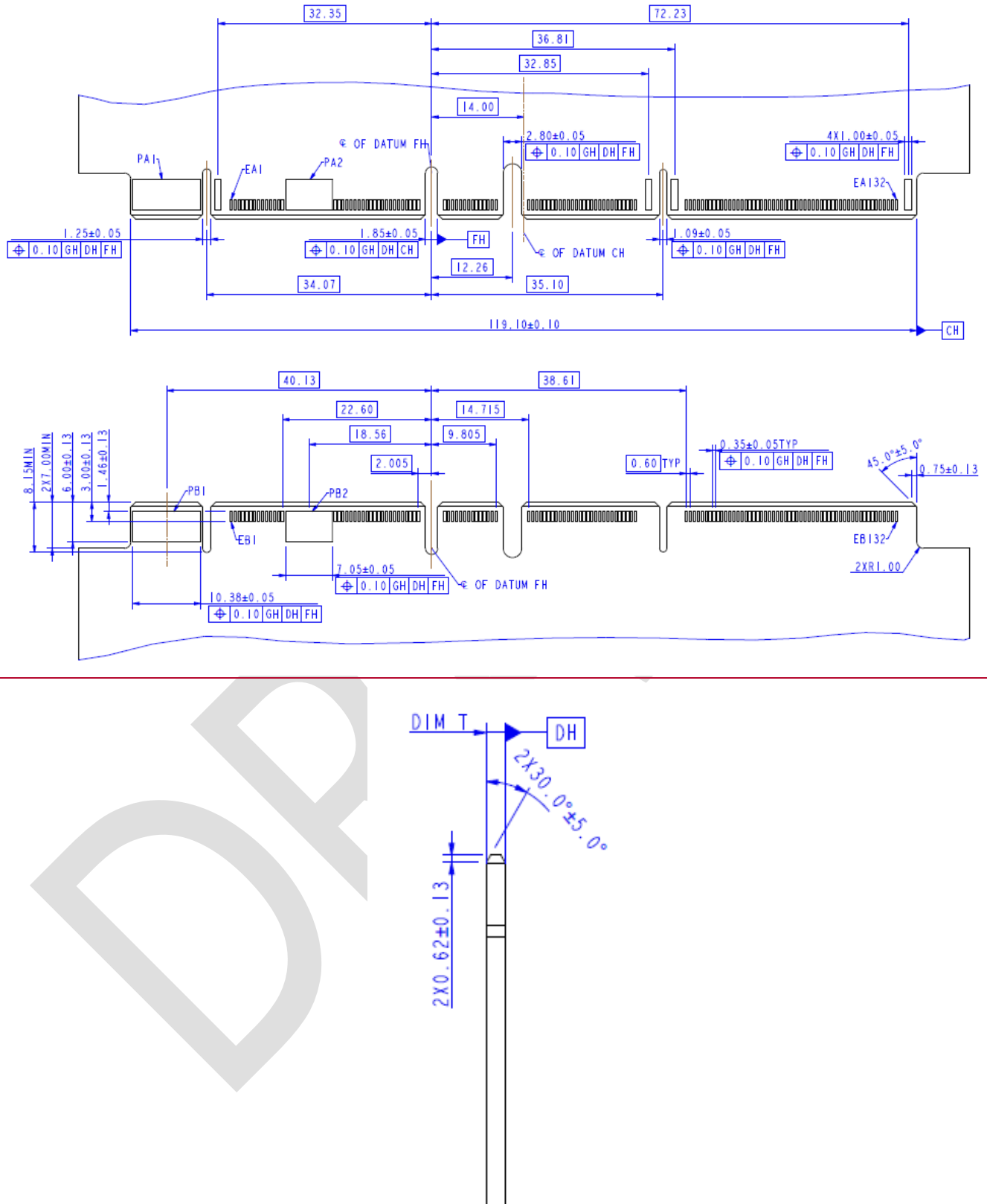


Figure A-3 Recommended Footprint for Straddle Mount Connector

Appendix B. Gatherability (Informative)

The figures in the section show a representation of the linear and angular gatherability of the connectors.

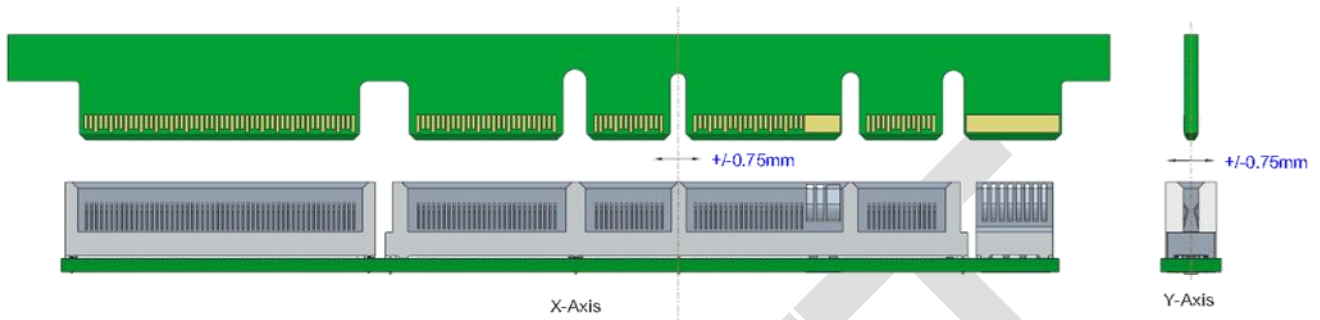


Figure B-1 Linear Gatherability

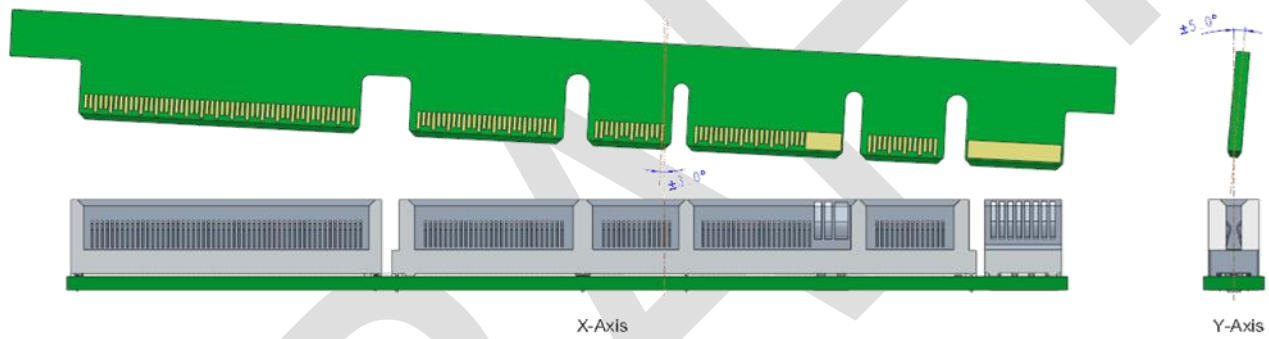


Figure B-2 Angular Gatherability

Appendix C. Current Rating Test Fixture (Informative)

The test board needs to have sufficient copper thickness and area to carry the required current. Figure C-1 and C-2 show an example of current rating test board PCB layer stack and size of power/ground patch for PMM add-in card. Figure C-3 and C-4 show an example of current rating test board PCB layer stack up and size of power/ground patch for PMM host board.

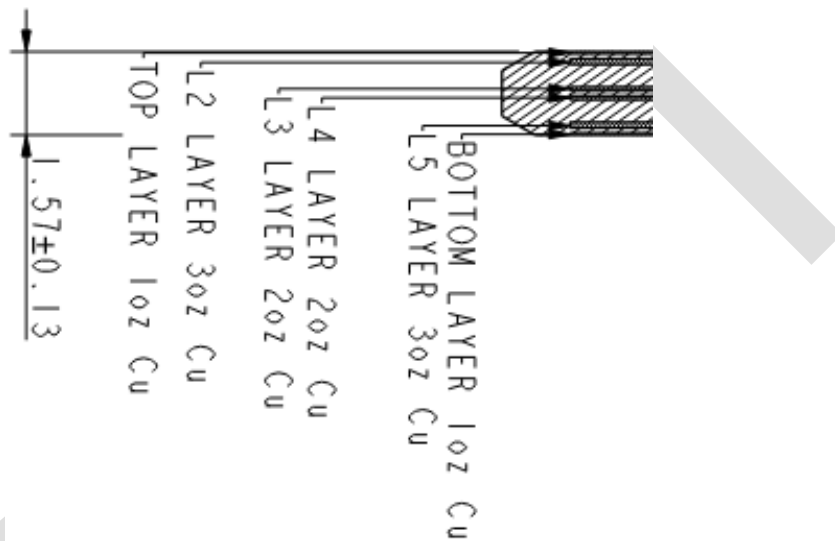


Figure C-1 An Example of PMM Module Current Rating Test Board PCB Layer Stack

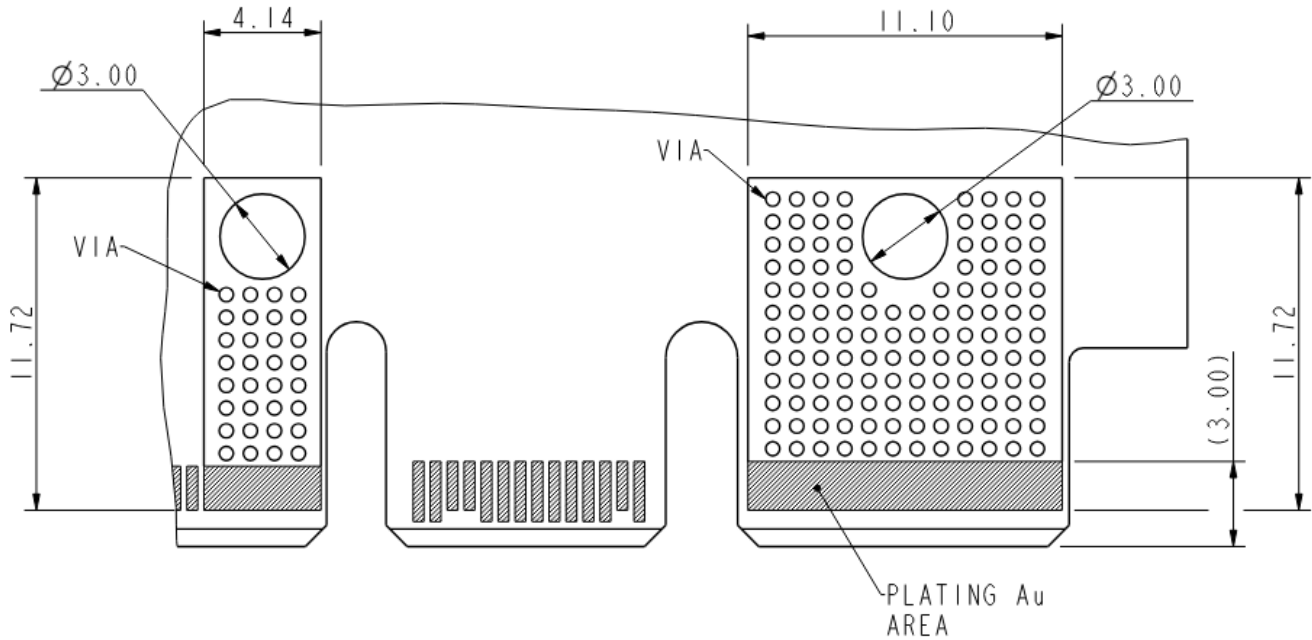


Figure C-2 An Example of PMM Module Current Rating Test Board Copper Patch

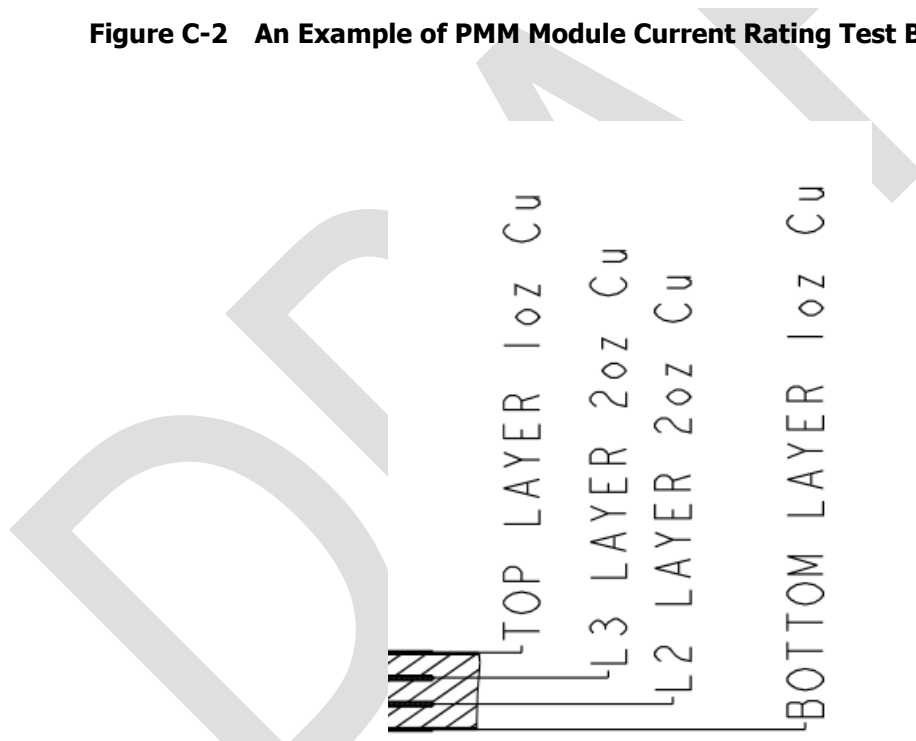


Figure C-3 An Example of PMM Host Current Rating Test Board PCB Layer Stack

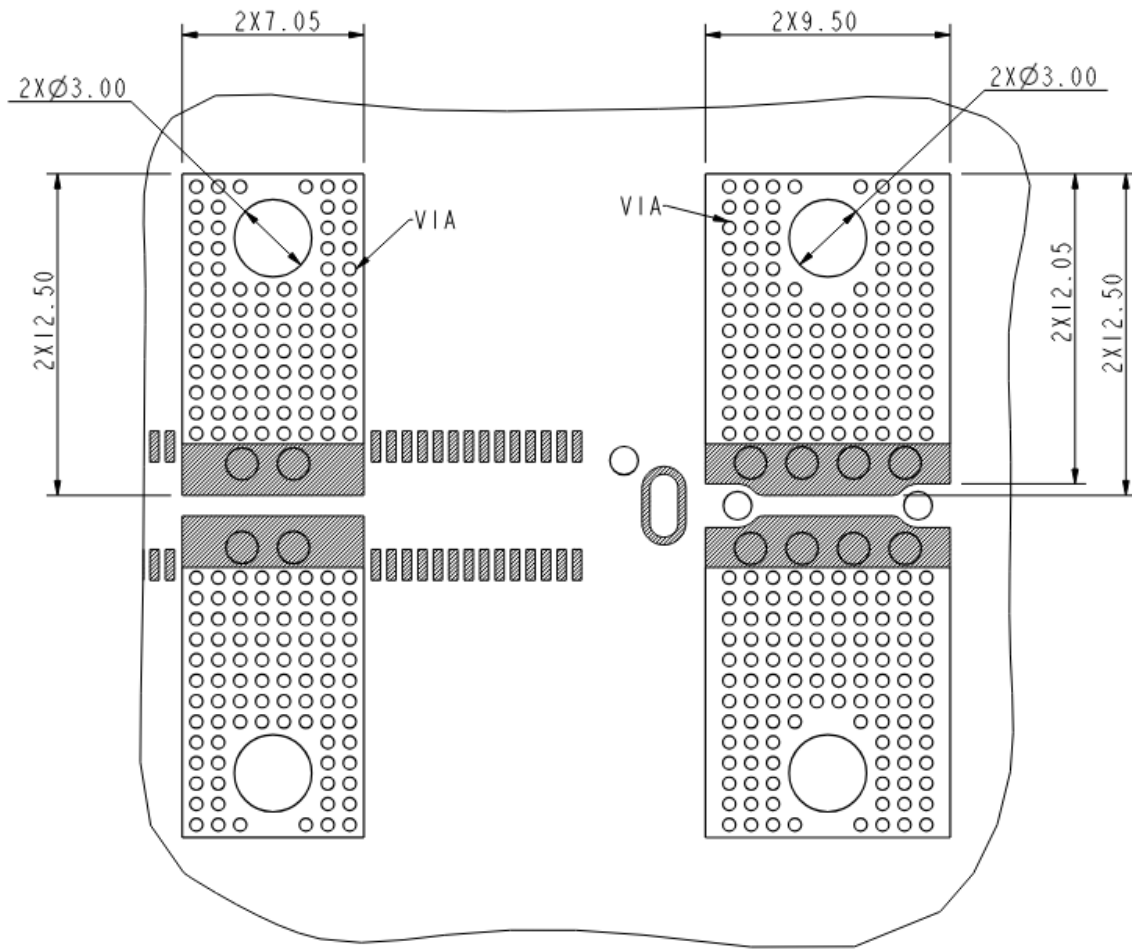


Figure C-4 An Example of PMM Host Current Rating Test Board Copper Patch

Appendix D. Labeling Connector Type (Informative)

A human legible label indicating connector type ("T1" or "T2") shall be placed anywhere on the viewing side of the connectors shown below. Figure D-1 and D-2 show the face of the right angle Connector. Figure D-3 and D-4 show the face of the vertical Connector. Figure D-5 and D-6 show the face of the straddle mount Connector. Figure D-7 shows the face of the panel mount Connector.

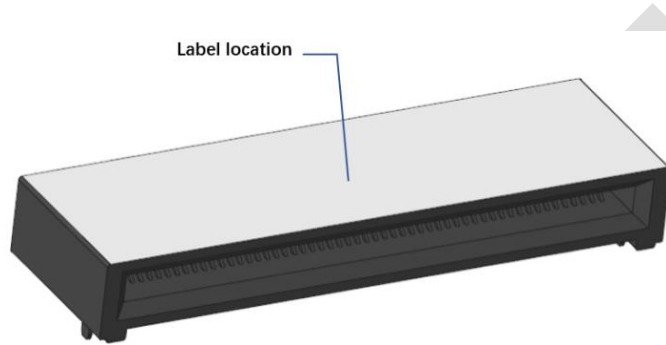


Figure D-1 Right Angle PMM x16 108pin Connector Label Location

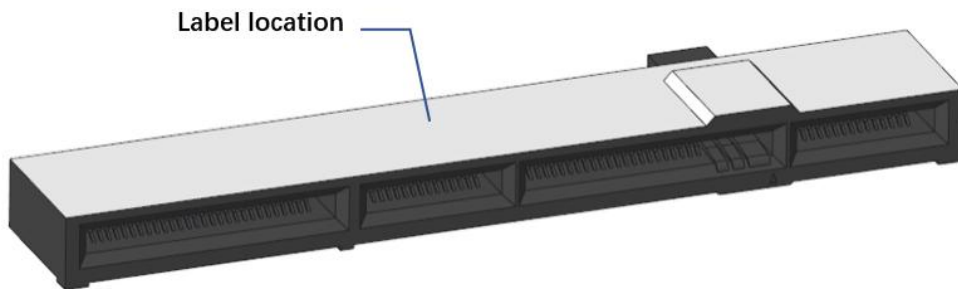


Figure D-2 Right Angle PMM 4C+EP connector Label Location

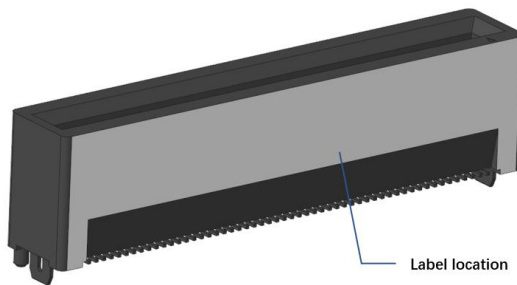


Figure D-3 Vertical PMM x16 108pin Connector Label Location

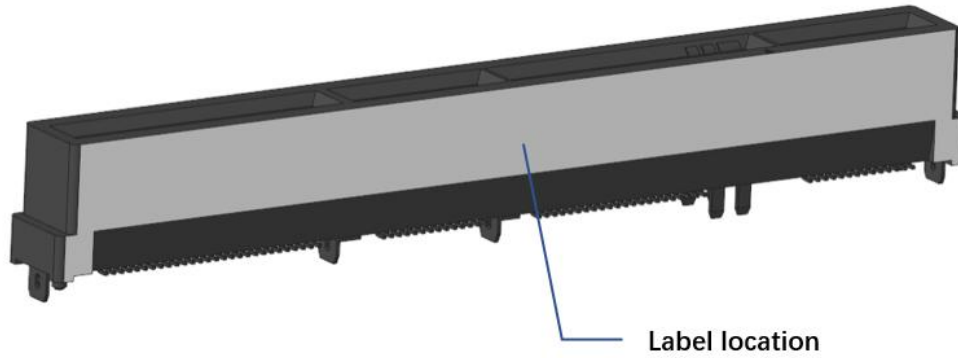


Figure D-4 Vertical PMM 4C+EP connector Label Location

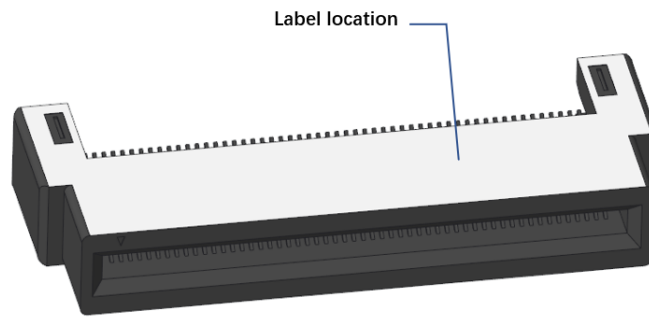


Figure D-5 Straddle Mount PMM x16 108pin Connector Label Location

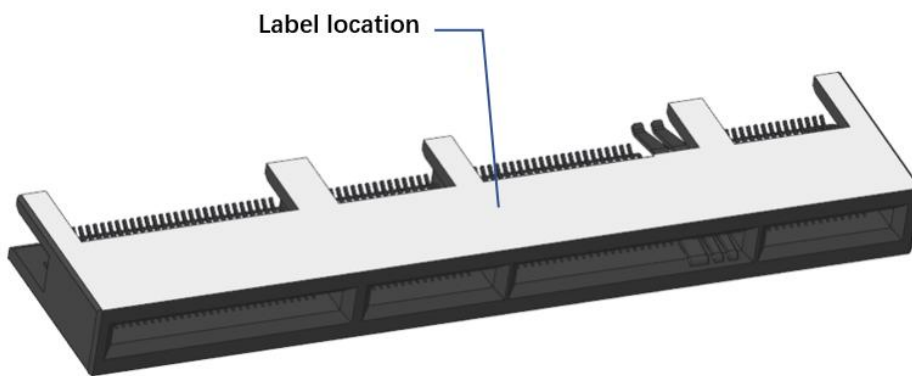


Figure D-6 Straddle Mount PMM 4C+EP connector Label Location

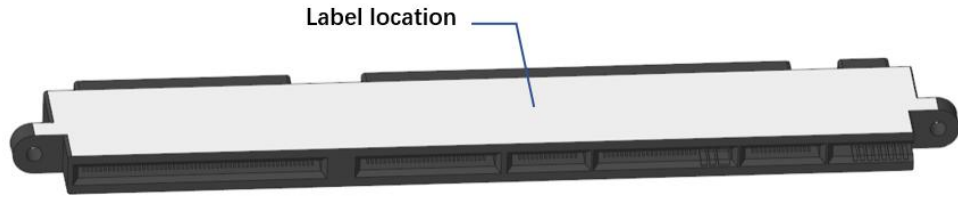


Figure D- 7 Panel Mount PMM Connector Label Location

DRAFT